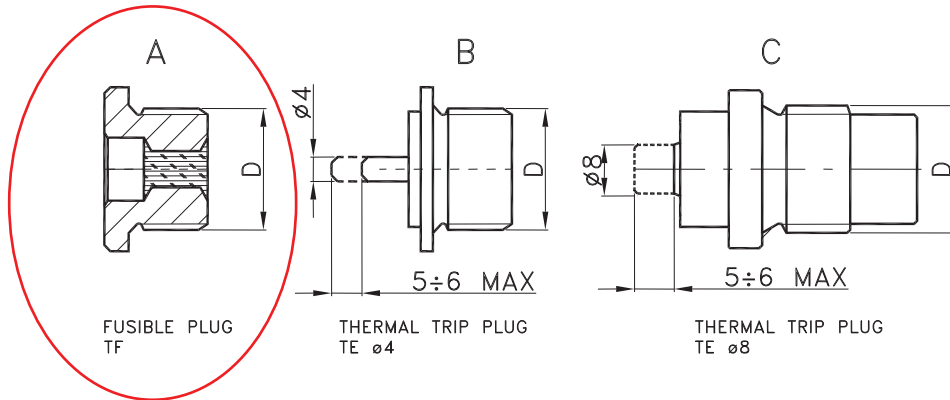


FUSIBLE PLUG TF

In case of overheating, the fusible plug allows the oil out and thereby disconnects the power transmitted to the output shaft. Fusible plugs are available for four different melting temperatures: 96°C, 120°C, 145°C and 180°C. WESTCAR standard couplings are supplied with fusible plug at 145° C.

THERMAL SWITCHING PIN TE

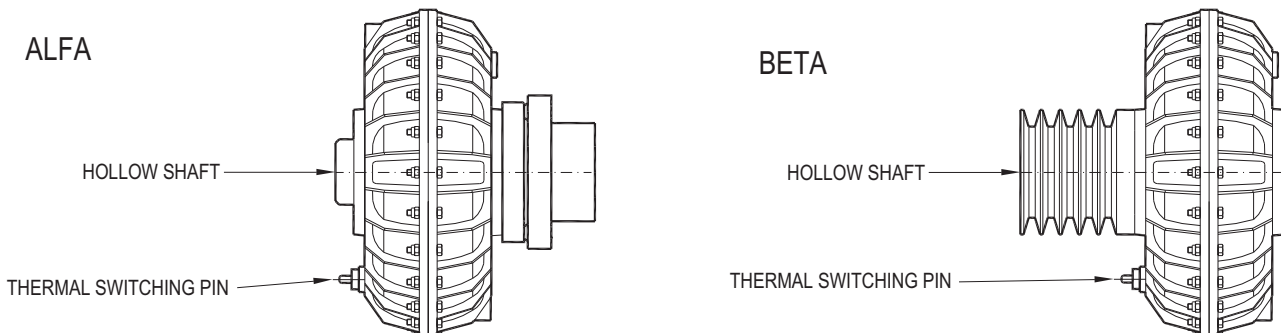
In case of coupling overheating with a thermal switching pin, a pin is released and collide against a limit switch which activates an alarm or shuts off the electric motor. This method avoids the oil leakage from the coupling. Fusible switching pins are available for four different temperatures: 96°C, 120°C, 145°C and 180°C. In case of stall conditions, motor running and machine locked, the coupling housing must be driving to guarantee the signal survey.



ROTOFLUID SIZE	DIMENSIONS				TEMPERATURE			
	D	A	B	C	96°C BLUE	120°C WHITE	145°C RED	180°C GREEN
10 20 30-30P 40P	1/4 GAS	X	X	-	●	●	●	●
50-55 60-65	1/2 GAS	X	X	-	●	●	●	●
70P-75P 80P-85P	1/2 GAS	X	-	X	●	●	●	●
90P-95P	3/4 GAS	X	-	X	●	●	●	●

When ordering specify: dimension D, safety plug melting temperature and colour.
Example of order: Fusible trip plug TE ¼ GAS 145°C RED.

THERMAL SWITCHING PIN STANDARD POSITION



The thermal switching pin is normally mounted by the hollow shaft side but in case of need can be located in the opposite side.