

SIGNALING UNITS

series
DP - DFP

Protection	Gas	1-2	II2G	Ex d IIC or IIB+H ₂ Gb
	Dusts	Zone 21-22	II2D	Ex tb IIIC Db

Degree of Protection	IP66
----------------------	------

Amb. Temp.	Standard	-20°C	+40°C
	Extended	-50°C	+80°C



Standards and Certificates



Directive 2014/34/EU (ATEX)

EN 60079-0 • EN 60079-1 • EN 60079-31

U

INERIS 14 ATEX 9009U



IEC 60079-0 • IEC 60079-1 • IEC 60079-31

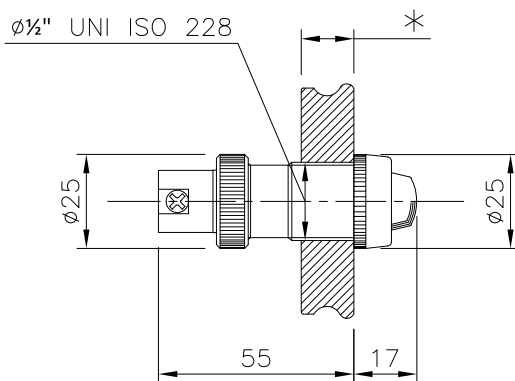
IECEx INE 14.0023U

- For COELBO enclosures Series CCA - CCL - CCF (see section B).
- The 1/2" Series, due to its compact size, allows to save space on the enclosures where they are installed.
- Body in Zinc plated Brass.
- Ring nuts in Chrome plated Brass and/or Polycarbonate.
- Optical components in tempered glass.
- Colored filters in self-extinguishing polycarbonate.

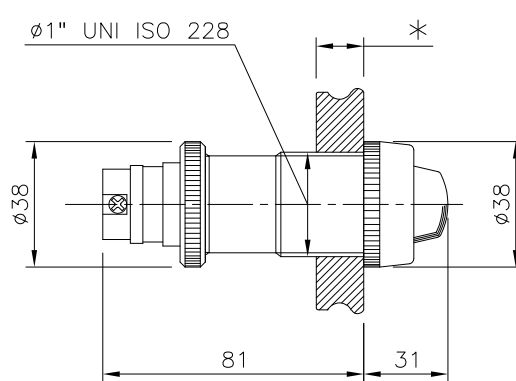
Options

- LED light (series LD...)

- Incandescent Lamp (series LI...)



DP
Threading 1/2" ISO 228
Lamp holder BA 9S
Power ≤ 2,5 W
Weight: 80 g



DFP
Threading 1" ISO 228
Lamp holder E14
Power ≤ 5 W
Weight: 210 g

Signaling Unit	
Color	Id code
Red	R
Green	V
Yellow	G
White	B
Blue	A

Example: DP R

Order Coding

Type

DP = 1/2" unit

DFP = 1" unit

Lamp color (see table)

R = Red

NOTES

The control and signaling units get same temperature class as the enclosure on which they are mounted.

These units shall be installed on enclosure with volume up to 160,6 dm³ for gas group IIB+H₂ and up to 62,9 dm³ for gas group IIC.

These units may be mounted on electrical equipment suitable for group IM2 (fire-damp mines) if no component is made of light alloy. The resulting mode of protection will be Ex d I Mb.

(*) See page B11 for enclosures CCA-CPS, page B21 for CCL-CPL and page B31 for CCF.

Remark: lamp is supplied on request.