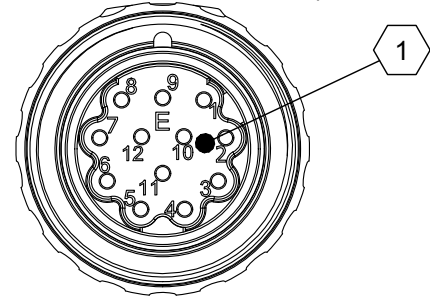
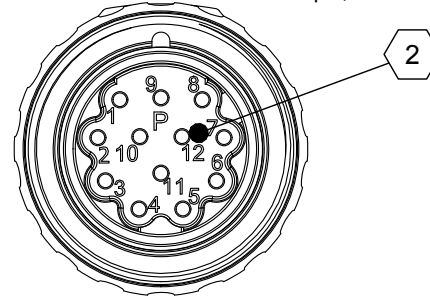


12-pin, Code 0°, E-type



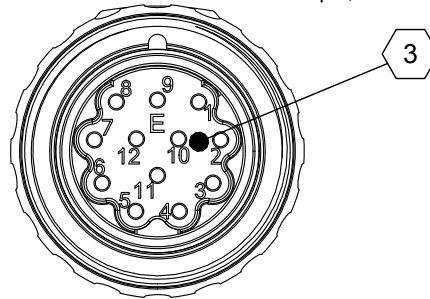
1

12-pin, Code 0°, P-type



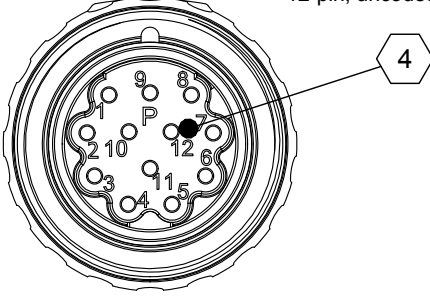
2

12-pin, uncoded, E-type



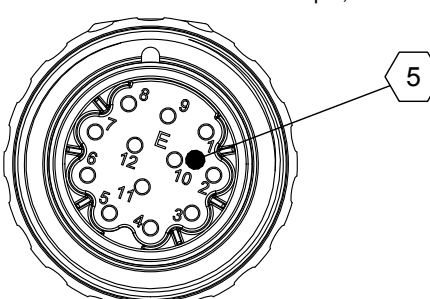
3

12-pin, uncoded, P-type



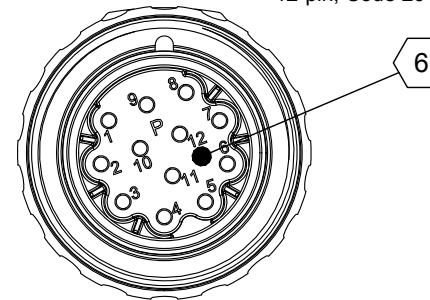
4

12-pin, Code 20°, E-type

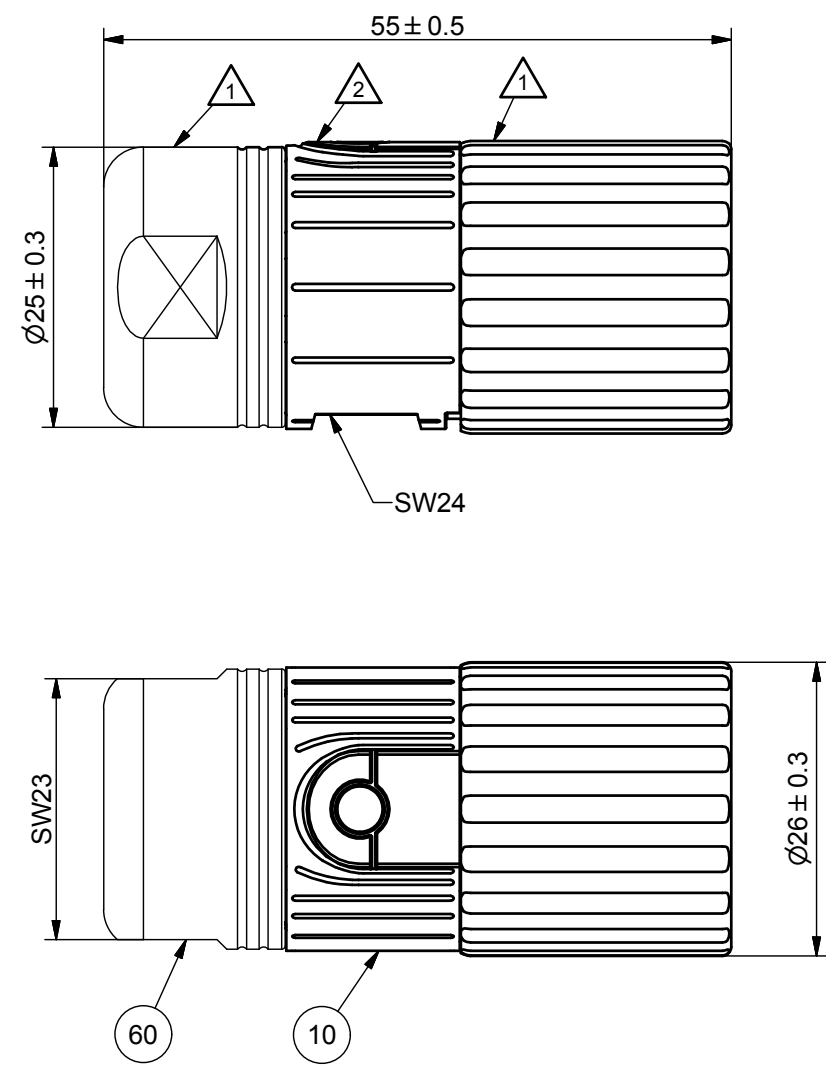


5

12-pin, Code 20°, P-type



6



note: all part numbers are for connectors without contacts!
For connectors including contacts replace code "N 00"
with code 7, see description on page 2.

- surface
- ASD: black chromated
 - 1 = NiCr b 6-20µm
 - 2 = NiCr b 6-20µm
 - ASA: nickel plated
 - 1 = fCu 3-5µm Ni
 - 2 = Cu 6-8µm Ni 4-6µm

assembly guidelines on www.intercontec.com/download/montageanleitungen

ITEM	QTY	discription	material	surface/color
60	1	623 clamp ring	brass	1
50	1	623 cable clamp (inside)	PA 66/ 6 FKM	black black/green
40	1	623 shielding (inside)	brass	1
30		623 distance sleeve (inside)	PBT	black
20	1	623 insulation insert (inside)	PA 66	white
10	1	623 plug housing	zinc diecast brass	2 1

7 contact code

N 00 : without contacts

1	12-pin, Code 0°, E-type, lamella clamping			12-pin, Code 0°, E-type, crown clamping		
	TE part number	IC reference number	clamping range	TE part number	IC reference number	clamping range
	ASA013N00090235000	ASTA013NN00090235000	3.5 mm to 5.6 mm	ASA013N00380235000	ASTA013NN00380235000	3.5 mm to 5.6 mm
	ASA013N00600235000	ASTA013NN00600235000	4.5 mm to 8.5 mm	ASA013N00390235000	ASTA013NN00390235000	4.5 mm to 8.5 mm
	ASA013N00610235000	ASTA013NN00610235000	9.0 mm to 13.2 mm	ASA013N00400235000	ASTA013NN00400235000	9.0 mm to 13.2 mm
	ASA013N00620235000	ASTA013NN00620235000	6.0 mm to 10.0 mm	ASA013N00410235000	ASTA013NN00410235000	6.0 mm to 10.0 mm
				ASA013N00730235000	ASTA013NN00730235000	9.0 mm to 14.3 mm

2	12-pin, Code 0°, P-type, lamella clamping			12-pin, Code 0°, P-type, crown clamping		
	TE part number	IC reference number	clamping range	TE part number	IC reference number	clamping range
	ASA012N00090235000	ASTA012NN00090235000	3.5 mm to 5.6 mm	ASA012N00380235000	ASTA012NN00380235000	3.5 mm to 5.6 mm
	ASA012N00600235000	ASTA012NN00600235000	4.5 mm to 8.5 mm	ASA012N00390235000	ASTA012NN00390235000	4.5 mm to 8.5 mm
	ASA012N00610235000	ASTA012NN00610235000	9.0 mm to 13.2 mm	ASA012N00400235000	ASTA012NN00400235000	9.0 mm to 13.2 mm
	ASA012N00620235000	ASTA012NN00620235000	6.0 mm to 10.0 mm	ASA012N00410235000	ASTA012NN00410235000	6.0 mm to 10.0 mm
				ASA012N00730235000	ASTA012NN00730235000	9.0 mm to 14.3 mm

3	12-pin, uncoded, E-type, lamella clamping			12-pin, uncoded, E-type, crown clamping		
	TE part number	IC reference number	clamping range	TE part number	IC reference number	clamping range
	ASA021N00090235000	ASTA021NN00090235000	3.5 mm to 5.6 mm	ASA021N00380235000	ASTA021NN00380235000	3.5 mm to 5.6 mm
	ASA021N00600235000	ASTA021NN00600235000	4.5 mm to 8.5 mm	ASA021N00390235000	ASTA021NN00390235000	4.5 mm to 8.5 mm
	ASA021N00610235000	ASTA021NN00610235000	9.0 mm to 13.2 mm	ASA021N00400235000	ASTA021NN00400235000	9.0 mm to 13.2 mm
	ASA021N00620235000	ASTA021NN00620235000	6.0 mm to 10.0 mm	ASA021N00410235000	ASTA021NN00410235000	6.0 mm to 10.0 mm
				ASA021N00730235000	ASTA021NN00730235000	9.0 mm to 14.3 mm

4	12-pin, uncoded, P-type, lamella clamping			12-pin, uncoded, P-type, crown clamping		
	TE part number	IC reference number	clamping range	TE part number	IC reference number	clamping range
	ASA020N00090235000	ASTA020NN00090235000	3.5 mm to 5.6 mm	ASA020N00380235000	ASTA020NN00380235000	3.5 mm to 5.6 mm
	ASA020N00600235000	ASTA020NN00600235000	4.5 mm to 8.5 mm	ASA020N00390235000	ASTA020NN00390235000	4.5 mm to 8.5 mm
	ASA020N00610235000	ASTA020NN00610235000	9.0 mm to 13.2 mm	ASA020N00400235000	ASTA020NN00400235000	9.0 mm to 13.2 mm
	ASA020N00620235000	ASTA020NN00620235000	6.0 mm to 10.0 mm	ASA020N00410235000	ASTA020NN00410235000	6.0 mm to 10.0 mm
				ASA020N00730235000	ASTA020NN00730235000	9.0 mm to 14.3 mm

5	12-pin, Code 20°, E-type, lamella clamping			12-pin, Code 20°, E-type, crown clamping		
	TE part number	IC reference number	clamping range	TE part number	IC reference number	clamping range
	ASA025N00090235000	ASTA025NN00090235000	3.5 mm to 5.6 mm	ASA025N00380235000	ASTA025NN00380235000	3.5 mm to 5.6 mm
	ASA025N00600235000	ASTA025NN00600235000	4.5 mm to 8.5 mm	ASA025N00390235000	ASTA025NN00390235000	4.5 mm to 8.5 mm
	ASA025N00610235000	ASTA025NN00610235000	9.0 mm to 13.2 mm	ASA025N00400235000	ASTA025NN00400235000	9.0 mm to 13.2 mm
	ASA025N00620235000	ASTA025NN00620235000	6.0 mm to 10.0 mm	ASA025N00410235000	ASTA025NN00410235000	6.0 mm to 10.0 mm
				ASA025N00730235000	ASTA025NN00730235000	9.0 mm to 14.3 mm

6	12-pin, Code 20°, P-type, lamella clamping			12-pin, Code 20°, P-type, crown clamping		
	TE part number	IC reference number	clamping range	TE part number	IC reference number	clamping range
	ASA022N00090235000	ASTA022NN00090235000	3.5 mm to 5.6 mm	ASA022N00380235000	ASTA022NN00380235000	3.5 mm to 5.6 mm
	ASA022N00600235000	ASTA022NN00600235000	4.5 mm to 8.5 mm	ASA022N00390235000	ASTA022NN00390235000	4.5 mm to 8.5 mm
	ASA022N00610235000	ASTA022NN00610235000	9.0 mm to 13.2 mm	ASA022N00400235000	ASTA022NN00400235000	9.0 mm to 13.2 mm
	ASA022N00620235000	ASTA022NN00620235000	6.0 mm to 10.0 mm	ASA022N00410235000	ASTA022NN00410235000	6.0 mm to 10.0 mm
				ASA022N00730235000	ASTA022NN00730235000	9.0 mm to 14.3 mm

Weitergabe sowie Vervielfältigung dieser Unterlage, Verwertung und Mitteilung ihres Inhalts sind nicht gestattet, soweit nicht ausdrücklich zugestanden. Zuwiderhandlungen verpflichten zu Schadenersatz. Alle Rechte im Fall der Patenterteilung oder GM - Eintragung vorbehalten.

Transferand duplication of this base, utilization and communication of the contents are not permitted, until expressly conceded. Violation will result in a claim for damages. All rights reserved in case of a patent or utility model registration.

Alle Maße ohne Einheiten in mm
all dimensions without units in mm

Maßstab / scale 1,5:1
Zeichnungsnummer / drawing number 144720
Kundenzeichnung / customer drawing

A	002	0002	27.06.17	Schwingh	27.06.2017	Schellenberger
Rev.	Index	Anderung	Datum	Name	Datum	Name
		Bearbeitet		Geprüft		



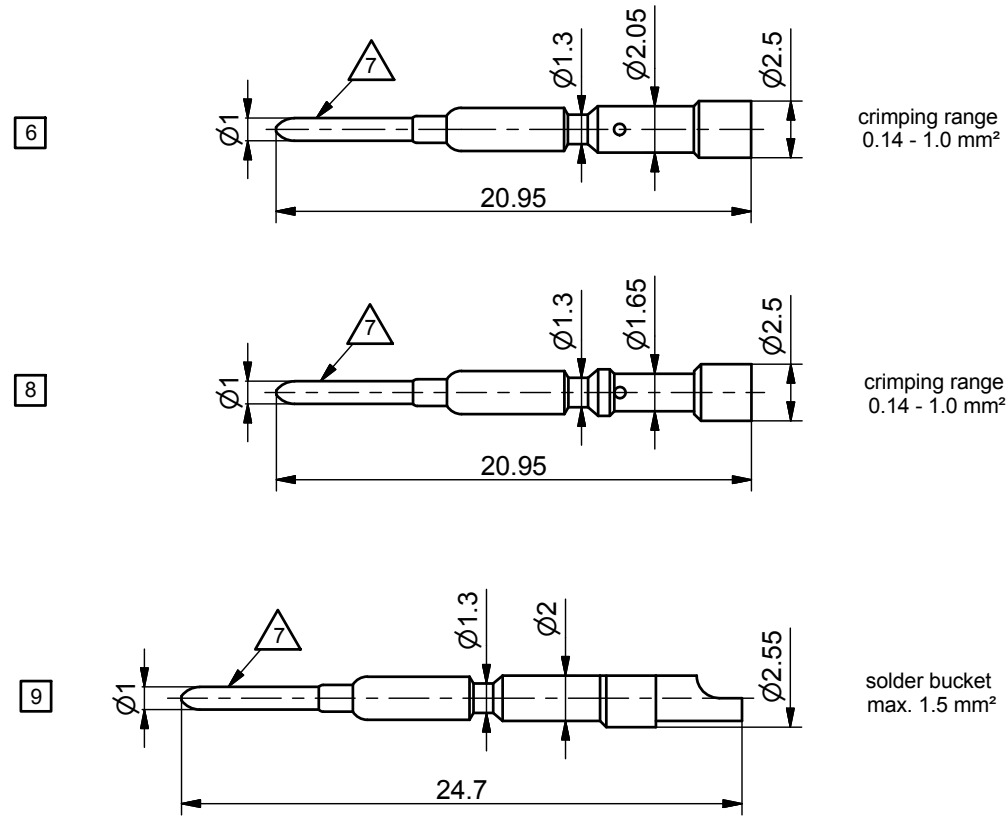
Benennung / description
623 Stecker, 12-polig
623 plug, 12-pin

Teilenummer / part number
see list

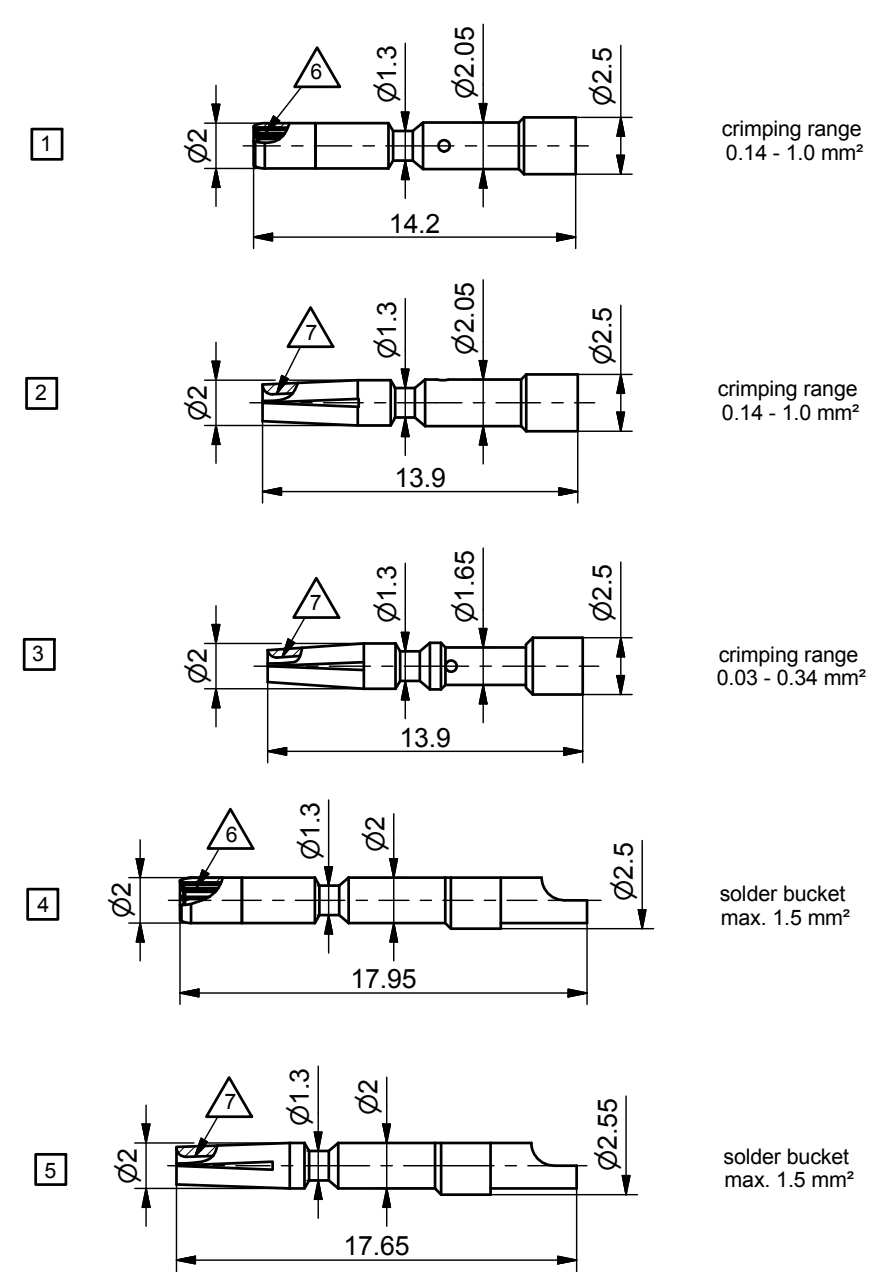
Gewicht / weight

Z-Art MZ
Bl. 1 von 2
doc.number Y7-0578-000-000

signal contact type: $\varnothing 1$ mm, pin scale 3 : 1



signal contact type: 1 mm, socket scale 3 : 1



* QTY inclusive spare parts

surface

$\triangle 6$ = fl. Cu Ni1.27 Au0.2

$\triangle 7$ = fl. Cu Ni2 Au0.2

$\triangle 7$ contact code

contact code for pin

TE contact code	IC ref. code	signal contact type	QTY
N 00	NN 00	-	0
M 04	MR 04	6	12
M 83	MR 83	8	12
S 06	MS 06	9	12

contact code for socket

TE contact code	IC ref. code	signal contact type	QTY
N 00	NN 00	-	0
F 01	FR 01	1	12
F 11	FR 11	2	12
F 17	FR17	1	8
F 18	FR 18	1	10
F 20	FR 20	1	9
F 21	FR 21	1	2
F 36	FR 36	2	8
F 83	FR 83	3	12
G 04	FS 04	4	12
G 13	FS 13	5	12

Weitergabe sowie Vervielfältigung dieser Unterlage, Verwertung und Mitteilung ihres Inhalts sind nicht gestattet, soweit nicht ausdrücklich zugestanden. Zuwiderhandlungen verpflichten zu Schadenersatz. Alle Rechte im Fall der Patenterteilung oder GM - Eintragung vorbehalten.

Transferand duplication of this base, utilization and communication of the contents are not permitted, until expressly conceded. Violation will result in a claim for damages. All rights reserved in case of a patent or utility model registration.

Alle Maße ohne Einheiten in mm
all dimensions without units in mm

Maßstab / scale 3:1
Zeichnungsnummer / drawing number 144720
Kundenzeichnung / customer drawing

Rev.	Index	Anderung	Bearbeitet	Datum	Name	Geprüft	Datum	Name
A	002	0002	Schwingh	27.06.17	Schellenberger		27.06.2017	Schellenberger

TE intercontec products

Datum	Name	Datum	Name
12.06.2017	Schwingh	21.06.2017	Schellenberger

Benennung / description				Gewicht / weight	
623 Stecker, 12-polig 623 plug, 12-pin					
Teilenummer / part number see list					
Z-Art	Bl.	von	doc.number		
MZ	2	2	Y7-0578-000-000		