



Your configured part number: 092
Additional accessories: (NO ACCESSORIES)

Features and Benefits

- **Maintenance Free Performance:**
 - Lubed for life w/proprietary synthetic blend grease
 - Blue and Improved design doubles previous cylinder life
- **Added Strength:**
 - Piston to rod connection is threaded, sealed, and riveted securely in place
 - Roll formed rod threads on both ends
 - Aluminum alloy piston with blow-by flats
- **Low Breakaway:**
 - Inflatable, wear compensating, U-cup rod and piston seals
 - Breakaway slots on each end cap for fast seal inflation

Engineering Specifications

Pressure Rating: 250 PSI

Temperature Range:

Buna N seals: -20° F (-29° C) to 200° F (90° C)
Fluoroelastomer seals for high temperatures (up to 400° F) available

Magnetic piston option: max. operating temp. is 185° F

Materials:

Rod: High strength carbon steel and stainless steel available

Body: 304 stainless steel

End Caps: 6061 aluminum (RoHS compliant)

Rod Bushings: Oil-impregnated bronze except (5/16", 7/16", 9/16" single acting)

Service and Design Capabilities

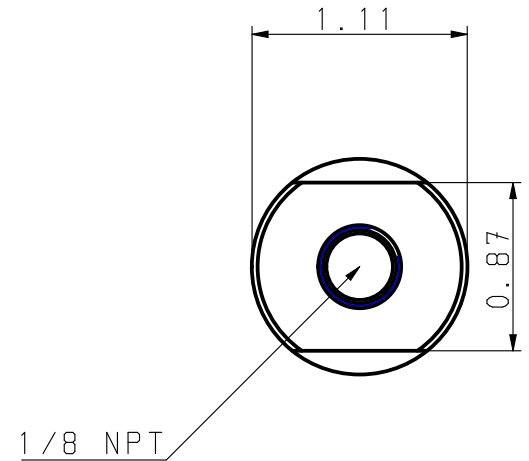
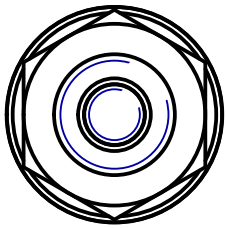
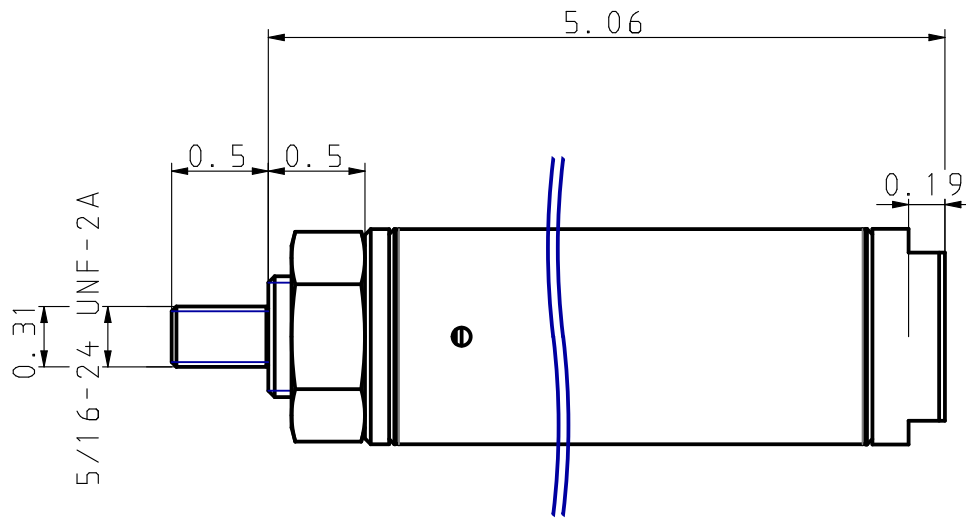
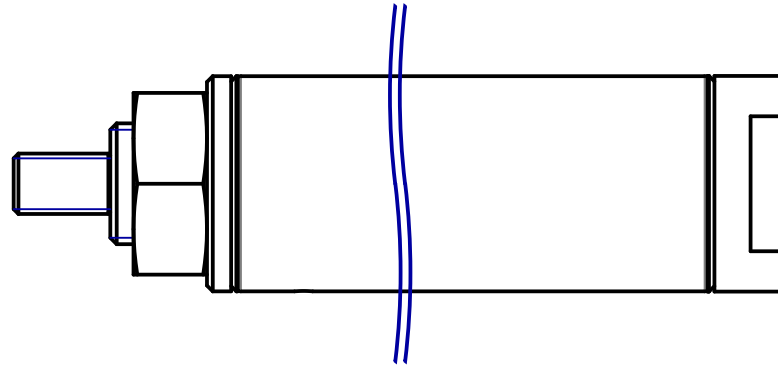
- **Catalog models available in 4 days or less**
- **Custom design capabilities for your needs**
- **Common modifications include:**
 - Custom rod threads/lengths
 - Customer logo/part# on cylinder body
 - Additional standard port sizes/locations
 - Special lubricants (FDA approved, etc.)
 - Anodized or nickel plated end caps
 - Clean room design with Krytox lubrication
 - Special spring forces

Bimba Manufacturing Company
Monee, IL 60449-0068
Telephone: 708.534.8544
Toll Free: 800-44-BIMBA
Email: cs@bimba.com
www.bimba.com

Leaders in Actuation.

önden yaylı tek etkili
çap 1 1/16" (09)
strok 2"

yerine Ø25
strok 50,8mm



092
(NO ACCESSORIES)

THIS DRAWING CONTAINS PROPRIETARY DESIGNS AND/OR INFORMATION OF BIMBA MFG. CO. OR ITS SUBSIDIARIES AND IS NOT TO BE TRANSMITTED, REPRODUCED, USED OR DISCLOSED WITHOUT WRITTEN PERMISSION OF BIMBA MFG. CO. OR ITS SUBSIDIARIES. DESIGN REFLECTS OUR BEST ENGINEERING OPINION BASED ON WRITTEN APPLICATION SPECIFICATIONS RECEIVED. SUITABILITY OF A DESIGN FOR AN APPLICATION REQUIRES ANALYSIS AND/OR TESTS IN YOUR SPECIFIC SYSTEM.

Bimba is part of
IMI Precision
Engineering



Bimba Manufacturing Co.

Monee, IL. 60449
(800) 442-4622 www.bimba.com

PROPRIETARY DRAWING - Reference Only