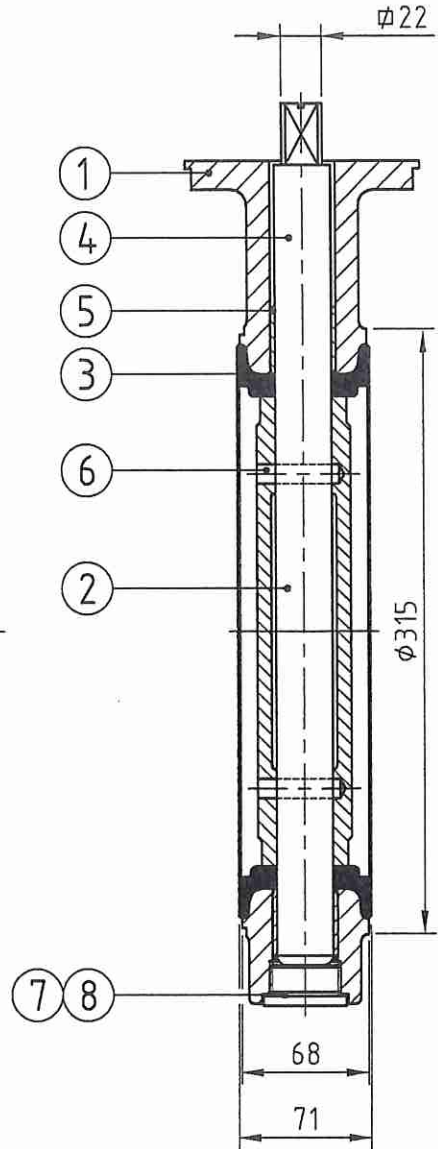
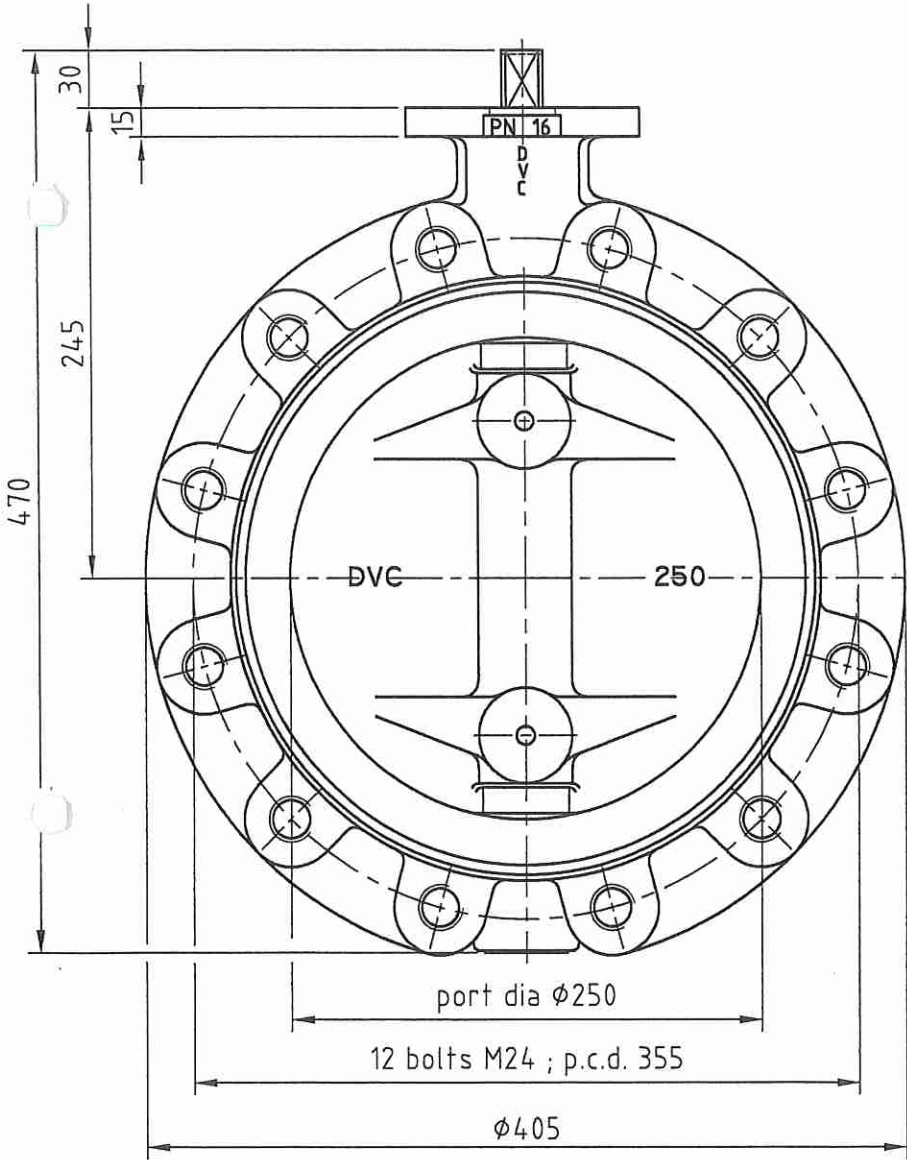
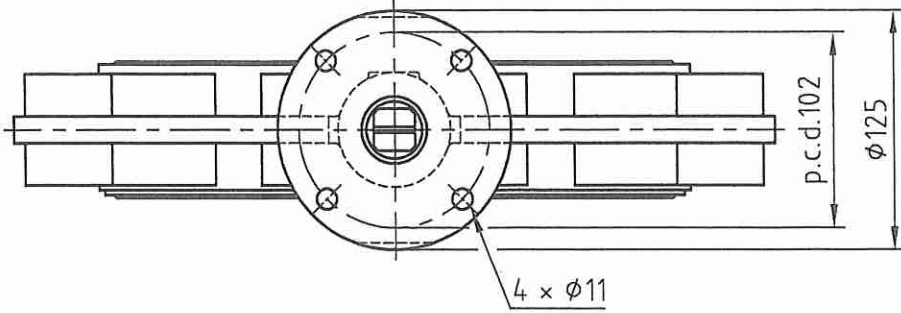


THIS DRAWING IS CONFIDENTIAL AND IS SUPPLIED ON THE EXPRESS THAT IT SHALL NOT BE LOANED OR COPIED OR DISCLOSED TO ANY OTHER PERSON, WITHOUT OUR WRITTEN CONSENT.

TITLE: Sectional arrangement of rubber lined butterfly valve type LT/S55. Nominal size 250 mm. Flange connection according to DIN-16. Dimensions according to ISO-5752/5211-1



8	1	fibrering		$\phi 44 \times \phi 38 \times 2$
7	1	plug		M38 x 1.5
6	2	cil. pin		$\phi 10 \times 42.5$
5	2	radial bearing		A4 / 50205
ASS. PRT.	No.	DESCRIPTION	MATERIAL	DRWG. No. OR DIMENSION

4	1	shaft		A4 / 50108
3	1	lining rubber		M-250-55
2	1	blade		
1	1	body		A4 / 55126
ASS. PRT.	No.	DESCRIPTION	MATERIAL	DRWG. No. OR DIMENSION

C						APPR. FOR CONSTR.		DRWN. BY: P.Du.	DATB: 26-11-'01	SIZE A4	JOB NO.
B							DATB	CHKD.	CHKD. BY: J.R.	DATB: 26-11-'01	
A									APPR. BY: J.R.	DATB: 26-11-'01	DRWG. NO.
0	26-11	P.Du.	ORIGINAL	11-'01	J.R.	DUVALCO		SCALB: 1:4	AM.PROJ.		55218
SUB BV.	DATB	SIGN.	DESCRIPTION	APPR. DATB	CHKD.	BUTTERFLY VALVES		SURFACE ROUGHNESS ACCORDING TO ISO-1302			REV. 0