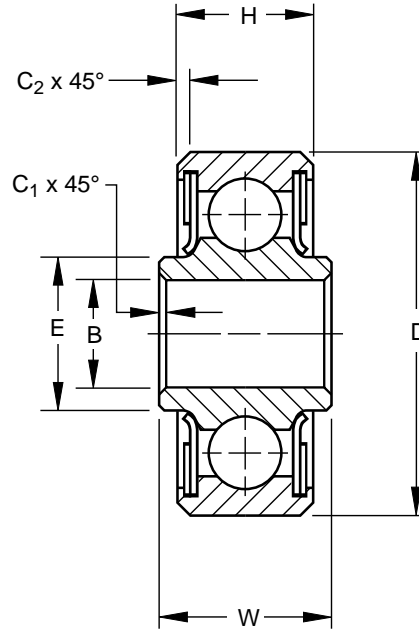
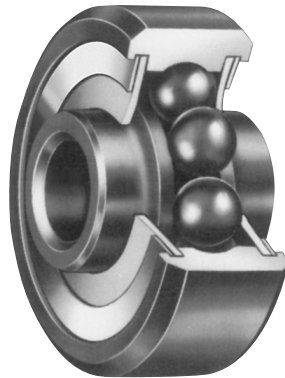


## MS27641 • SAE-AS7949

- Single row, ball, deep groove, medium duty
- PTFE seals and CRES sealcaps
- Exposed surfaces except bore, caps, and seals are cadmium plated
- Prelubricated for life
- Also offered with CRES 440C material and/or zinc nickel plating per OEM specifications



AIRFRAME CONTROL BALL BEARINGS

## SPECIFICATIONS AND ORDERING INFORMATION

**TO ORDER, SPECIFY BEARING NUMBER AND FACTORY SPECIFICATION. SEE TABLE 1 ON PG 8. (Example KP3AL FS464)**

Bearing Number	MS 27641 Dash No.	Bore B		Outside Diameter D		Widths				E	C <sub>1</sub>		C <sub>2</sub>		Wt.	Radial Limit Load Rating	Thrust Limit Load Rating				
		+0.0000, -0.0005 +0.000, -0.013	+0.0000, -0.0005 +0.000, -0.013	+0.000, -0.005 +0.00, -0.13	+0.000, -0.005 +0.00, -0.13	Approx.	+0.015, -0.000 +0.38, -0.00	+0.015, -0.000 +0.38, -0.00	Approx.												
		in.	mm	in.	mm	in.	mm	in.	mm	in.	mm	in.	mm	lbs.	kg	lbf.	N	lbf.	N		
KP3AL <sup>(1)</sup>	-	0.1900	4.826	0.5000	12.700	0.237	6.02	0.196	4.98	0.261	6.63	0.005	0.13	0.012	0.30	0.01	0.005	970	4350	430	1950
KP3A	-3	0.1900	4.826	0.6250	15.875	0.297	7.54	0.234	5.94	0.302	7.67	0.005	0.13	0.016	0.41	0.01	0.005	1560	6950	700	3150
KP4A	-4	0.2500	6.350	0.7500	19.050	0.281	7.14	0.219	5.56	0.385	9.78	0.005	0.13	0.016	0.41	0.02	0.009	1880	8400	900	4000
KP5A	-5	0.3125	7.938	0.8125	20.638	0.297	7.54	0.234	5.94	0.433	11.00	0.015	0.38	0.016	0.41	0.02	0.009	2190	9800	1000	4500
KP6A	-6	0.3750	9.525	0.8750	22.225	0.313	7.95	0.250	6.35	0.512	13.00	0.015	0.38	0.016	0.41	0.03	0.014	2500	11200	1100	4900
KP8A	-8	0.5000	12.700	1.1250	28.575	0.375	9.53	0.313	7.95	0.638	16.21	0.015	0.38	0.016	0.41	0.05	0.023	3910	17400	1700	7600
KP10A	-10	0.6250	15.875	1.3750	34.925	0.406	10.31	0.344	8.74	0.773	19.63	0.015	0.38	0.032	0.81	0.08	0.036	6700	30000	3000	13400
KP12A	-12	0.7500	19.050	1.6250	41.275	0.437	11.10	0.375	9.53	0.967	24.56	0.015	0.38	0.032	0.81	0.13	0.059	8790	39100	3900	17400
KP16A	-16	1.0000	25.400	2.0000	50.800	0.500	12.70	0.438	11.13	1.268	32.21	0.015	0.38	0.032	0.81	0.22	0.100	11900	53000	5200	23200
KP20A	-20	1.2500	31.750	2.2500	57.150	0.500	12.70	0.438	11.13	1.503	38.18	0.015	0.38	0.032	0.81	0.26	0.118	13800	61400	6100	27200

<sup>(1)</sup> KP3AL not MS27641.