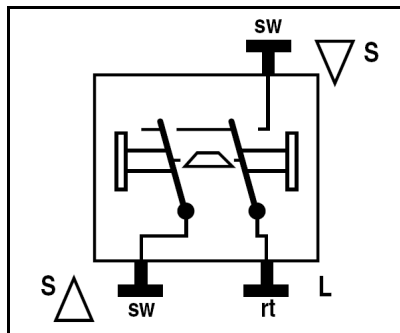


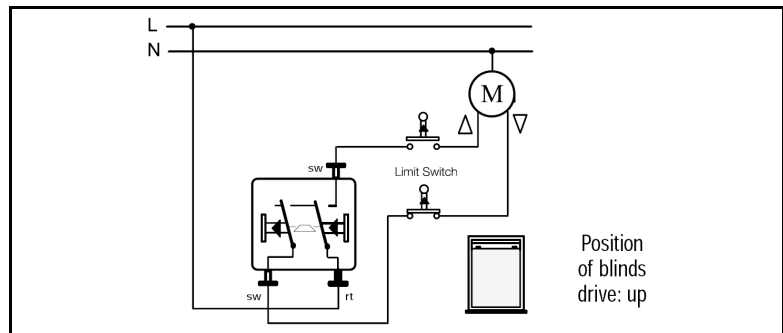
Description: 2-gang blind switch insert (1-pole switch)

Ref.-no.: 509 VU

Mechanical interlocking to avoid switching of both rockers at the same time.



Contact assignments



Wiring diagrams
509 VU

Technical data

Switching voltage:	AC 250 V ~
Switching current:	10 AX
Connection:	screwless terminals
Switch type:	1-pole switch (1 motor)