

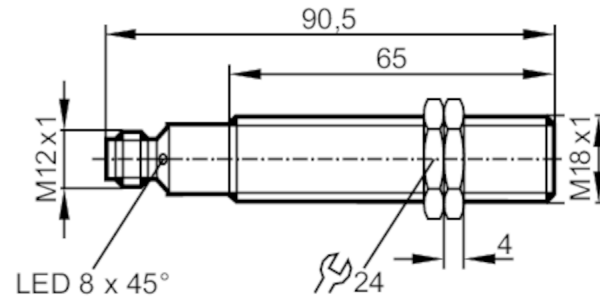
GG508S



Fail-safe inductive sensor

GIGA4010-3PT/SIL3/US

customer-specific



Product characteristics

Output function		Clock signal
Enable zone	[mm]	1...4
Housing		Threaded type
Dimensions	[mm]	M18 x 1 / L = 90.5

Application

System		gold-plated contacts
Type of operation		continuous operation (maintenance-free)
Safety-related function		safe state when undamped
Application		Industrial applications

Electrical data

Operating voltage	[V]	19.2...30 DC
Current consumption	[mA]	< 15
Protection class		III
Reverse polarity protection		yes
Max. power-on delay time	[ms]	5000

Inputs

Max. input capacitance Ci_max	[nF]	2
----------------------------------	------	---

Outputs

Output function		Clock signal
Output data		Interface type B
Short-circuit protection		yes
Max. capacitive load CL_max	[nF]	20

Monitoring range

Enable zone	[mm]	1...4
Safe switching-off distance s(ar)	[mm]	10

GG508S



Fail-safe inductive sensor

GIGA4010-3PT/SIL3/US

Reaction times			
Response time to safety request	[ms]	20	
Response time when approaching the enable zone	[ms]	200; (typical 100)	
Operating conditions			
Applications		Class C to EN 60654-1 weatherproof application	
Ambient temperature	[°C]	-40...70	
Note on ambient temperature		operational life ≤ 87600 h	
Ambient temperature	[°C]	10...40	
Note on ambient temperature		operational life ≤ 175200 h	
Rate of temperature change	[K/min]	0.5	
Max. relative air humidity	[%]	briefly: 5...95 %; permanent: 5...70 %	
Air pressure	[kPa]	80...106	
Ionizing radiation		not permissible	
Salt spray		no	
Protection		IP 68; IP 69K; (to EN 60529)	
Tests / approvals			
EMC		IEC 60947-5-2	
		IEC 60947-5-3	
		EN 61000-4-2 ESD	6 kV CD / 8 kV AD
		EN 61000-4-3 HF radiated	20 V/m
		EN 61000-4-4 Burst	2 kV
		EN 61000-4-6 HF conducted	10 V
		EN 61000-4-8	30 A/m
	EN 55011	class B	
Shock resistance		IEC 60947-5-2	
Vibration resistance		IEC 60947-5-2	
Safety classification			
Complies with the requirements		ISO 13849-1: 2015 Category 3, PL e IEC 61508 SIL 3	
Mission time TM	[h]	≤ 175200	
Mission time TM (additional indication)		20 years	
PFH	[1/h]	1E-08	
Mechanical data			
Weight	[g]	177.5	
Housing		Threaded type	
Mounting		flush mountable	
Dimensions	[mm]	M18 x 1 / L = 90.5	
Thread designation		M18 x 1	
Material		brass special coating; PBT	
Displays / operating elements			
Display	Power	1 x LED, green	
	signal	1 x LED, yellow	

GG508S



Fail-safe inductive sensor

GIGA4010-3PT/SIL3/US

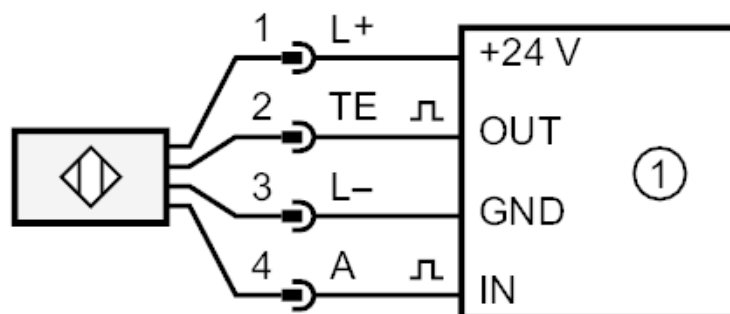
Accessories	
Items supplied	lock nuts: 2
Remarks	
Remarks	Unless stated otherwise, all data refer to the reference target plate to IEC 60947-5-2 over the whole temperature range. (FE360 = ST37K) 24x24x1 mm
Notes	customer-specific
Pack quantity	1 pcs.

Electrical connection - plug

Connector: 1 x M12; coding: A; Contacts: gold-plated



Connection



1 = Safety-related logic unit