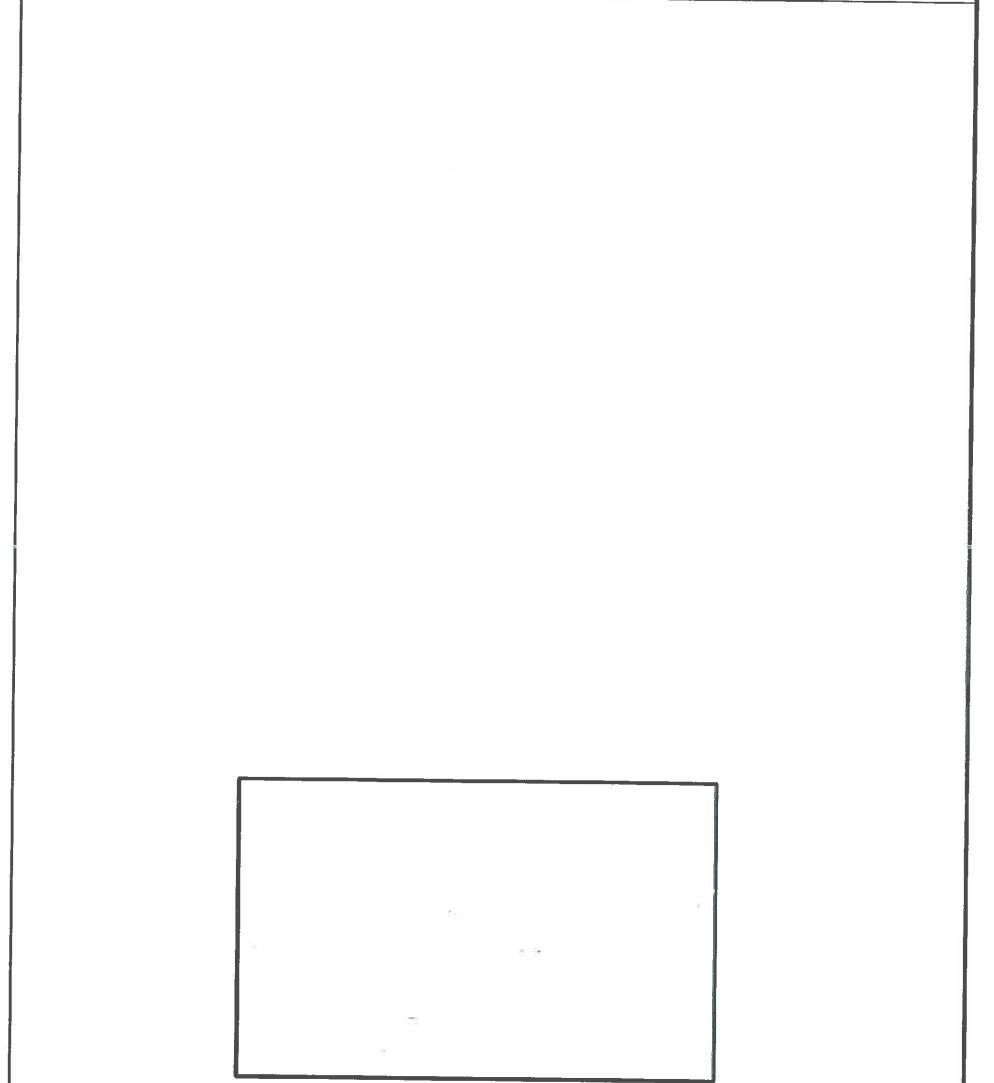


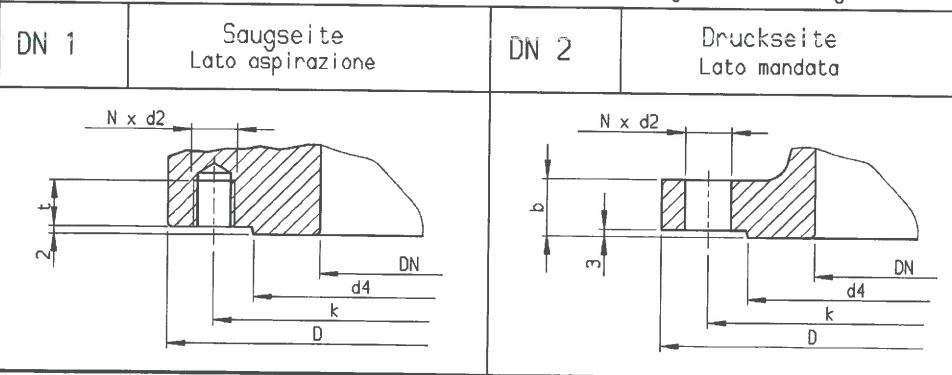
DIENT NUR ZUR INFORMATION  
 FOR INFORMATION ONLY  
 POUR INFORMATION

| Pos. Pos. | Benennung Denominazione                    | Zeichn.Nr. Disegno Nr. | Bemerkung Osservaz. |
|-----------|--|------------------------|---------------------|
| 1         | Kugelrückförpump<br>Pompa ripresa sferette |                        |                     |
| 2         | Schild<br>Scudo                            |                        |                     |
| 3         | Kerbnagel<br>Chiodo intagiato              |                        |                     |



Flanschanschlußmaße

Misure di collegamento a flangia



|     | Standard               | PN       | DN | D   | b  | k     | d4  | - | Nxd2    | t  |
|-----|------------------------|----------|----|-----|----|-------|-----|---|---------|----|
| DN1 | DIN 2501               | 16 bar   | 80 | 200 | -  | 160   | 138 | - | 8 x M16 | 20 |
| DN2 | DIN2533/DIN EN 10092-2 | 16 bar   | 80 | 200 | 22 | 160   | 138 | - | 8 x Ø18 | -  |
| DN1 | ANSI RF B16.1          | 150 lbs. | 3" | 191 | -  | 152.4 | 127 | - | 4 x M16 | 20 |
| DN2 | ANSI RF B16.1          | 150 lbs. | 3" | 191 | 22 | 152.4 | 127 | - | 4 x Ø19 | -  |
| DN1 | ANSI FF B16.1          | 150 lbs. | 3" | 191 | -  | 152.4 | -   | - | 4 x M16 | 20 |
| DN2 | ANSI FF B16.1          | 150 lbs. | 3" | 191 | 22 | 152.4 | -   | - | 4 x Ø19 | -  |
| DN1 | J15 B 2212             | 100N/cm2 | 80 | 185 | -  | 150   | 130 | - | 8 x M16 | 20 |
| DN2 | J15 B 2212             | 100N/cm2 | 80 | 185 | 22 | 150   | 130 | - | 8 x Ø19 | -  |
| DN1 |                        |          |    |     |    |       |     |   |         |    |
| DN2 |                        |          |    |     |    |       |     |   |         |    |

| Rev | Datum      | Name   | Geprüft  | Änderung                    |
|-----|------------|--------|----------|-----------------------------|
| 1   | 25.01.2011 | Staub  | Staub    | Standard Ungültig           |
| c   | 04.05.2009 | Ulmer  | Schroers | Zeichnung überarbeitet      |
| b   | 09.03.2007 | Pillen | Schroers | Indexanhebung nach Umladung |

| Frei     | Dimension  | Toleranz: | Datum | Name |
|----------|------------|-----------|-------|------|
| Erstellt | 26.10.2000 | Habip     |       |      |
| Geprüft  | 26.10.2000 | Schroers  |       |      |

| Maßstab | Scale | 1: % - NTS |
|---------|-------|------------|
|         |       |            |

| Benennung/Title  | Nr./No.        | BL./Pg. | von/of |
|--|----------------|---------|--------|
| K Kugelrückförpump<br>Pompa ripresa sferette<br>KRP 80-200 | 2/00/0891-0184 | 01      | 01     |

| Entstanden aus | Originated from |
|----------------|-----------------|
| 2/00/0891-0180 |                 |

| CAD Original       | Änderung nur über Bildschirm.                        |
|--------------------|--|
| Aktuelle Version 0 | Original created by CAD.<br>Change only by terminal. |

Copying of this document, and giving it to others and the use or communication of the contents thereof, are forbidden without express authority. Offenders are liable to the payment of damages. All rights are reserved in the event of the grant of a patent or the registration of a utility model or design.

Schutzvermerk nach DIN 34 beachten