

DO NOT SCALE , IF IN DOUBT - ASK
NE PAS MESURER. SI DANS LE DOUTE, DEMANDER

3rd ANGLE PROJECTION
PROJECTION AU TROISIEME ANGLE

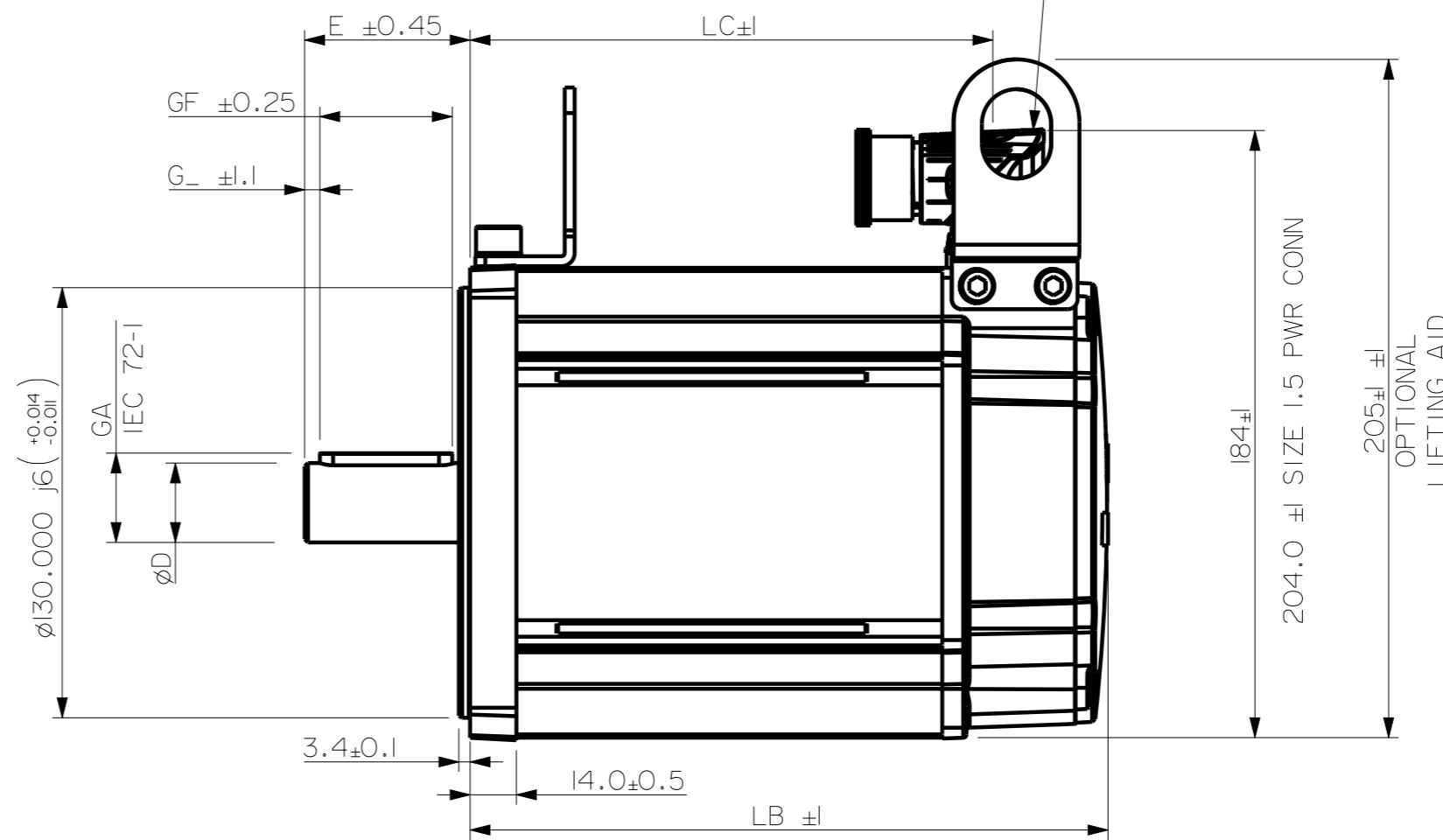
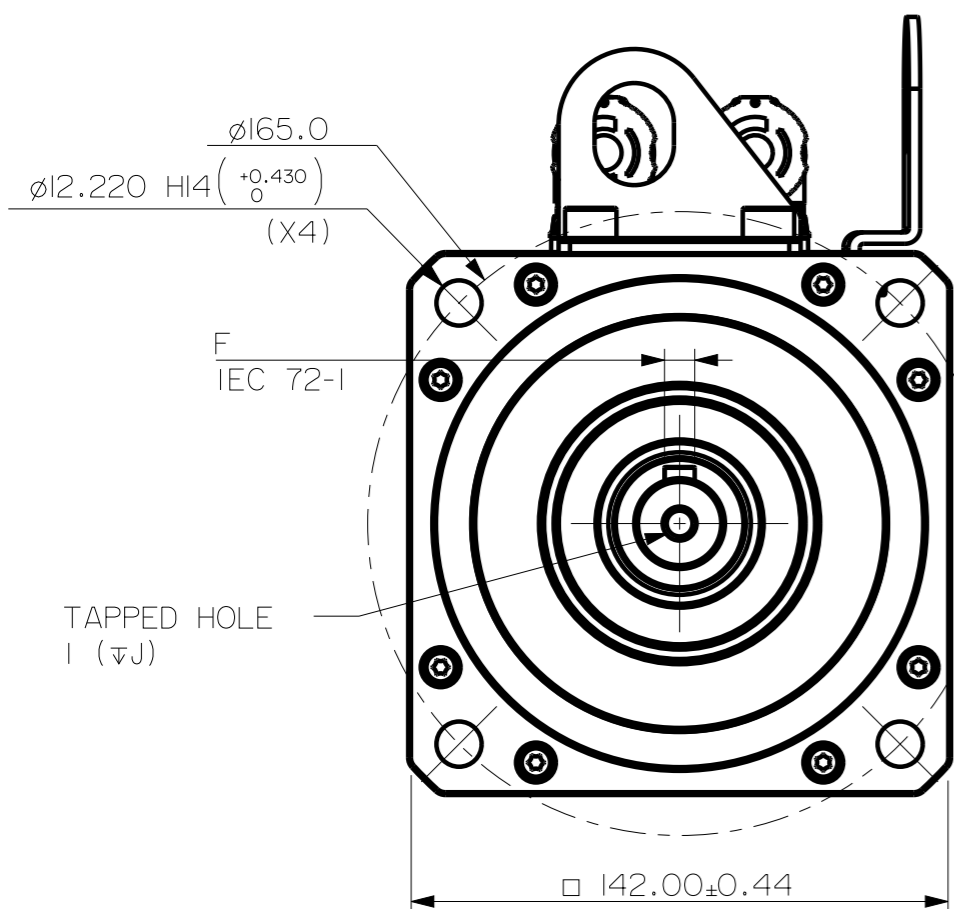
MOTOR LENGTH	LB	LC
I42U3A	192.8	158.0
I42U3B	222.8	188.0
I42U3C-A-BR	252.8	218.0
I42U3D-B-BR	282.8	248.0
I42U3E-C-BR	312.8	278.0
I42U3D-BR	342.8	308.0
I42U3E-BR	372.8	338.0

SHAFT	D	FIT	E	F	G ₋	GA	GF	I	J
SHAFT_22	22.0	j6	50.0	6.0	4.6	24.5	40.0	M8X1.25	20
SHAFT_24	24.0	j6	50.0	8.0	4.6	27.0	40.0	M8X1.25	20
SHAFT_28	28.0	j6	60.0	8.0	4.6	31.0	50.0	M10X1.5	23
SHAFT_32	32.0	k6	80.0	10.0	4.6	35.0	70.0	M12X1.75	29

CONNECTOR FUNCTION	DRAWING
PLUG_ENCODER_ENDAT	IM0098DS
PLUG_ENCODER_INCREMENTAL	IM0097DS
PLUG_ENCODER_SINCOS	IM0099DS
PLUG_POWER	IM0095DS
PLUG_RESOLVER	IM0100DS

NOTES:

- KEY DIMENSIONS ONLY APPLICABLE ON KEYED UNITS.
- ALL UNSPECIFIED DIMENSIONS AND TOLERANCES TO IEC72-1.
- LIFTING BRACKETS FITTED AS REQUIRED.



FOR CONNECTION DETAILS
SEE CONNECTOR
FUNCTION DRAWINGS
AVAILABLE ON REQUEST.

THIS DRAWING IS THE
PROPERTY OF CONTROL
TECHNIQUES DYNAMICS LTD
AND MAY NOT BE USED OR
DISCLOSED FOR ANY PURPOSE
EXCEPT AS AUTHORIZED BY
CONTROL TECHNIQUES DYNAMICS
LTD

DIMENSIONS IN MILLIMETRES
LIMITS UNLESS OTHERWISE
STATED
1 DECIMAL PLACE ± 0.4mm
2 DECIMAL PLACES ± 0.1mm
ANGULAR ±30'

CE DESSIN EST LA PROPRIETE
DE CONTROL TECHNIQUES
DYNAMICS LTD ET NE DOIT
PAS ETRE UTILISE NI
DIVULGUE SANS LA
PERMISSION DE CONTROL
TECHNIQUES DYNAMICS LTD

DIMENSIONS EN MILLIMETRES
TOLERANCE SI NON INDIQUEE
AU DIXIEME ±0.4mm
AU CENTIEME ±0.1mm
ANGULAIRE ±30'

TITLE - DESIGNATION

I42
OUTLINE DRAWING
UNIMOTOR U3

USED ON
MACHINE UNIMOTOR U3

MATERIAL - MATIERE

NA

SPECIFICATION
SEE PRODUCT DATA
CATALOGUE UNIMOTOR FM

FINISH - FINITION

NA

DRAWING NUMBER
CODE ARTICLE A3

IM0718GA

SHEET 1 of 1 ISSUE - INDICE 5

ISS	CR No.	BY	ISS	CR No.	BY	ISS	CR No.	BY	ISS	CR No.	BY	ISS	CR No.	BY	ISS	CR No.	BY
3	19463	AH	4	19606	AH	5	19630	AH	-	-	-	-	-	-	-	-	-
BSP HOLES INFO ADDED			SHAFT TABLE AND NOTE 3 ADDED			ATEX REF. REMOVED											
DATE	APPR BY	DATE	APPR BY	DATE	APPR BY	DATE	APPR BY	DATE	APPR BY	DATE	APPR BY	DATE	APPR BY	DATE	APPR BY	DATE	APPR BY
05.08.14	HO	22.01.15	HO	16.02.15	DB												

DRAWN BY	CHECKED
A HALLIDAY	H OSBORNE
DRN DATE	APPROVED
08.03.2012	G ADRIEN
SCALE	STATUS
1:2	I



CONTROL TECHNIQUES DYNAMICS LTD.
ANDOVER, SPIO 5AB, HANTS, UK