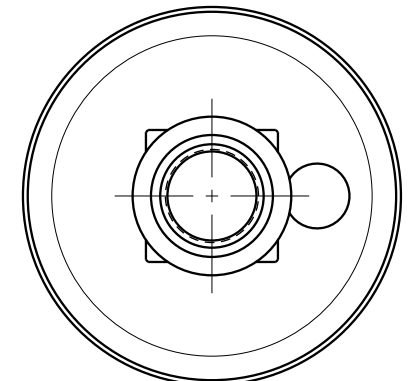


ILC72122156 REV A ECN 3857  
 SCALE 1.250



CAD CONTROL  
 DRAWING



A	3857	RELEASE	MJUST	6/20/19	72122156	B
REV	IN ACCORDANCE WITH ECN	EFFECTIVE DATE	REVISED BY	DATE	REFERENCE MODEL	REF REV
DRW BY:	MJUST	DRAWING STATUS: <b>Released</b>			TOLERANCES DO NOT APPLY	SIZE
DATE:	6/19/19	PRODUCTION APPROVED FOR RELEASED STATUS ONLY			DIMENSIONS ARE NOMINAL	B

GAUGE, PRESS, HYDR, 6000PSI, CBM, SAE4, 1.57"		ILC72122156	REV A
		FORM FEG036, Rev. B	

SHEET 1 OF 1