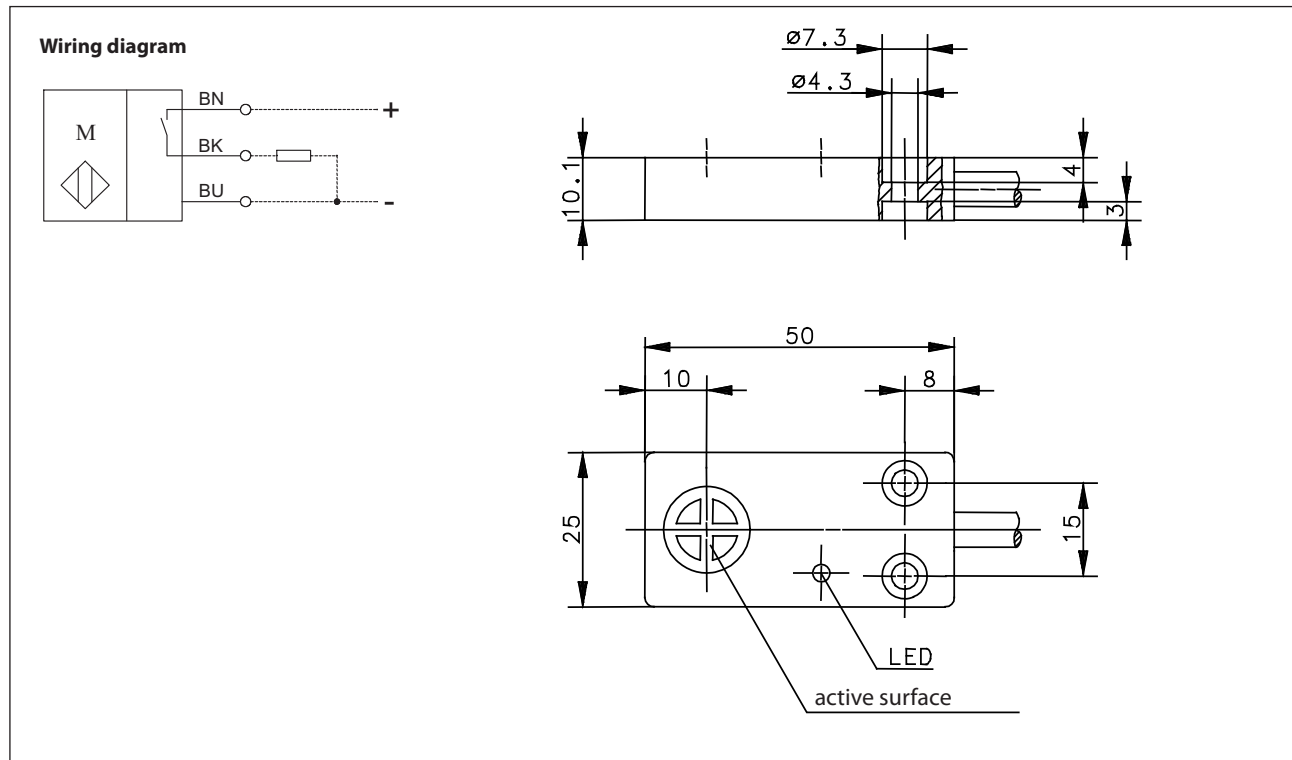


Magnetic Sensor Series E50

Description **MEK-E50PB/H11-KL2**

Article number **6373490130**



Identifying characteristics in accordance with EN 60947-5-2

Electrical data		
Assured operating distance	S_n	17 mm
Switching function		PNP, bistable
Operational voltage range	U_B	10 – 39 V DC
Switching current		400 mA
Supply current		< 20 mA
Voltage drop	U_d	< 3 mA
Switching element		Hall, typ. 11 mT, south on/ north off
Short-circuit protection		pulsed
Frequency of operating cycles	f	10 kHz
Assembly position		optional
False polarity protection		yes
Shock		30 g (11 ms / ½ Sinewave)
Vibration		10 - 55 Hz, 1 mm Amplitude 5 min.
Corresponding magnet		T-62 N/S

Electromagnetic compatibility (EMC)	
Electromagnetic field test	IEC 61000-4-3
Electrostatic discharge test	IEC 61000-4-2
Electrical fast transient immunity test (Burst)	IEC 61000-4-4
Radiated disturbance field strength	EN 55011

Mechanical data	
Enclosure	PBT, black
Ambient air temperature	-25 °C ... +70 °C (cabel fixed mounted)
Type of protection	IP 67 acc. to EN 60529
Indication	LED, yellow; output activated
Termination type	Cable 3 x 0,50 mm ² x 2 m ± 5%, PVC-Outer jacket, black

EU Conformity	
	acc. to directive 2014/30/EU (EMC-Directive)