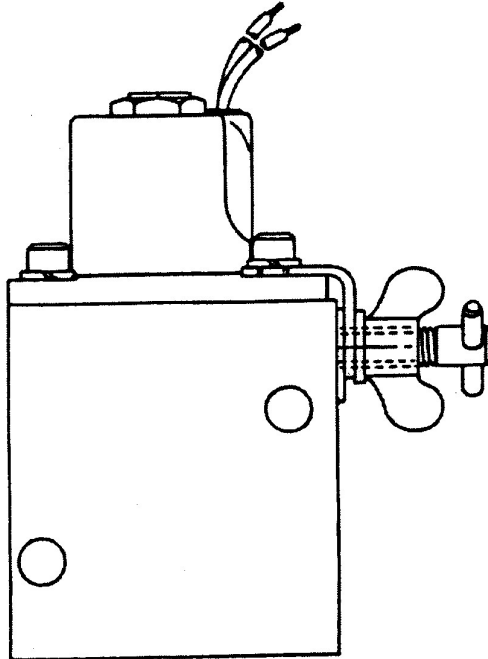

 <b>Engine Starting Systems</b>	<b>Document:</b> Data sheet VCA 308185 <b>Version:</b> 1 <b>Status:</b> Actual <b>Author:</b> Th Date: 20/08/01 <b>File:</b> PC	<b>Technical Informations</b> <b>Solenoid Valve</b> <b>VCA 308185-X</b> <b>Spécifications</b>	<b>LBSM</b>  27600 Gaillon

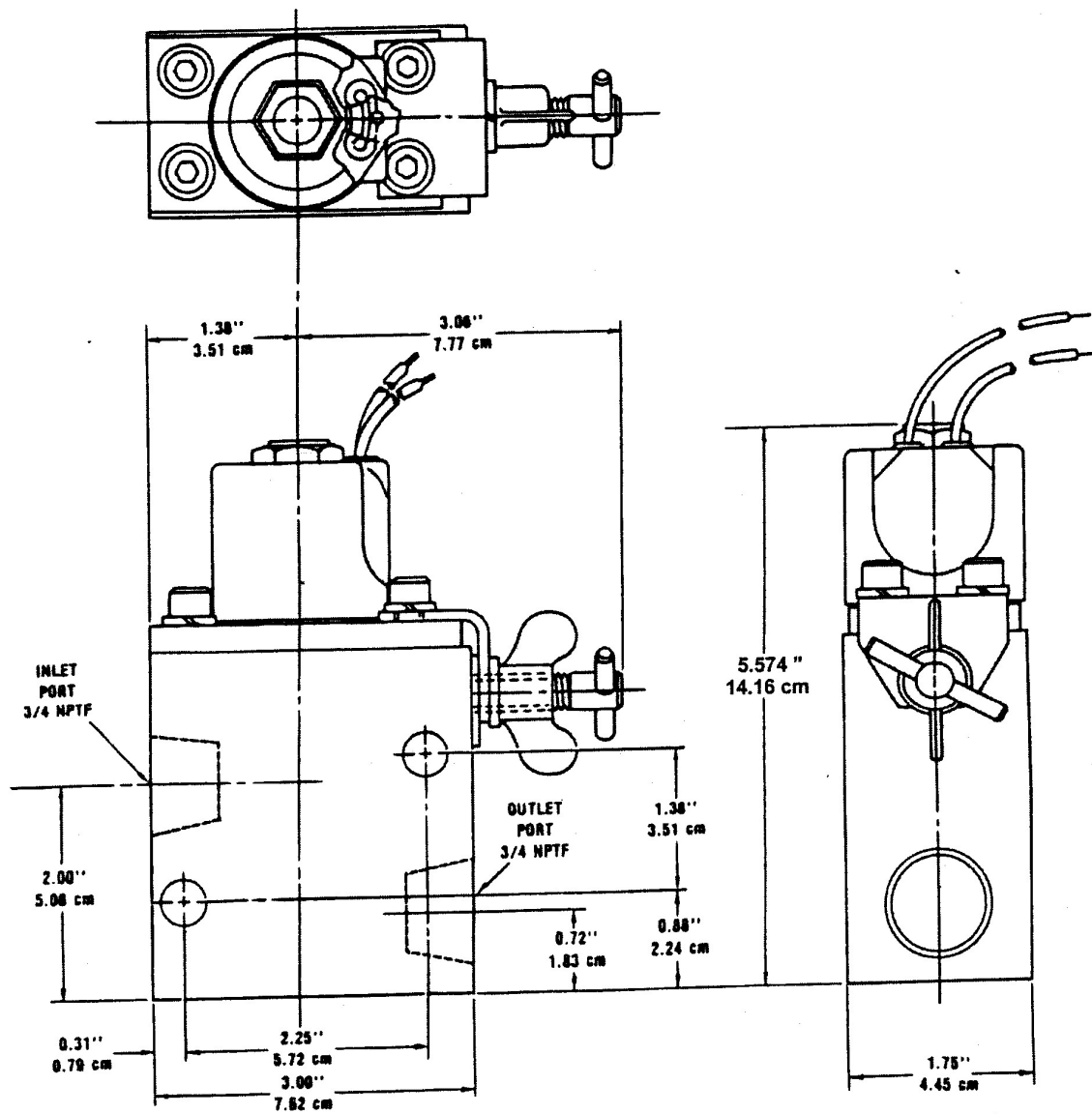


**VCA 308185-X Solenoid Operated Control Valve w/ Manual Override Specifications**

**(ACCUMULATOR DUMP VALVE)**

Housing .....	Aluminum
Type .....	Normally closed
Type of Operation .....	Internally Piloted Poppet
Maximum Working Pressure .....	3000 psi (207 bars)
Flow Capacity .....	40 GPM (see chart, page 11)
Valve Schematic .....	See Page 11
Solenoid .....	Environmentally Protected
Duty Cycle .....	15 seconds open maximum 10 minutes closed minimum
Dimensions .....	See Page 12
Weight .....	2.5 lbs (1.1 kgs)
Installation .....	Must be mounted within 30° of vertical
Temperature Range .....	-49° to +250°F (-40° to +121°C)
Variations .....	Model Number      Volts Amps
	(Intermittent Duty)
	VCA 308185-1      24 VDC 2.82 A
	VCA 308185-2      115 VAC 1.75 A
	VCA 308185-3      12 VDC 5.71 A

 <p>Engine Starting Systems</p>	<p>Document: Data sheet VCA 308185  Version: 1  Status: Actual  Author: Th Date: 20/08/01  File: PC</p>	<p><b>Technical Informations</b>  <b>Solenoid Valve</b>  <b>VCA 308185-X</b>  <b>Dimensions</b></p>	<p><b>LBSM</b>  27600 Gaillon</p>
--	---	---	---------------------------------------



NOTE: MOUNT VALVE WITHIN 30° OF VERTICAL

