

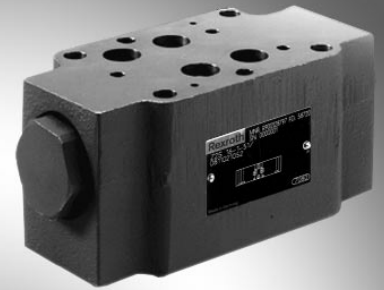
Check valve, pilot operated

RE 21558/07.10
Replaces: 08.05

1/8

Type Z2S

Size 16
Component series 5X
Maximum operating pressure 315 bar [4568 psi]
Maximum flow 300 l/min [79.2 US gpm]



K4340/4

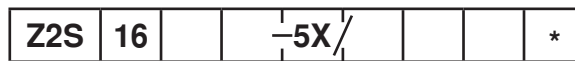
Table of contents

Contents	
Features	1
Ordering code	2
Symbols	2
Function, sections, circuit example	3, 4
Technical data	5
Characteristic curves	6
Unit dimensions	7, 8

Features

Features	
	– Sandwich plate valve for use in vertical stackings
1	– Porting pattern according to ISO 4401-07-07-0-05 and NFPA T3.5.1 R2-2002 D07
2	– For the leak-free blocking of one or two actuator ports, optionally
3, 4	– Different cracking pressures
5	– With pre-opening
6	– Check valve installation sets separately available
7, 8	– Special versions upon request
	– Amending documentation:
	• "Sandwich plates size 16", data sheet 48054
	• "Hydraulic fluids on a mineral oil basis", data sheet 90220

Ordering code



Check valve, sandwich plate

Further details in the plain text

Size 16 = 16

Leak-free blocking in channel A and B = -

Leak-free blocking in channel A = A

Leak-free blocking in channel B = B

Cracking pressure

3 bar [43.5 psi] = 1

5 bar [72.5 psi] = 2

7.5 bar [108.8 psi] = 3

10 bar [145.0 psi] = 4

Component series 50 to 59 = 5X

(50 to 59: unchanged installation and connection dimensions)

Surface without corrosion resistance ¹⁾ = no code

no code =

SO40 = Control open by external port G1/4
(only version "A" or "B")

SO60 = Control spool to "T"
port unloaded

Special version

Without

Seal material

NBR seals

FKM seals

no code =

V =

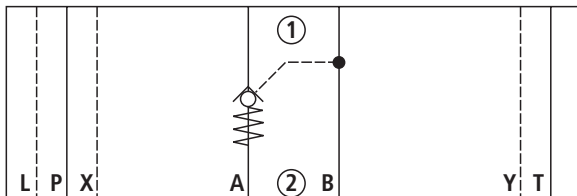
Note!

The selection depends on the operating parameters (fluid, temperature, etc.)!

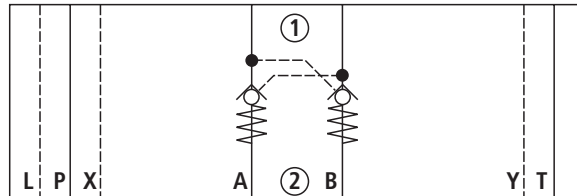
¹⁾ Corrosion-resistant surface upon request:
e.g. "J50" thick layer passivated
(DIN 50979 Fe//Zn8//Cn//T0)

Symbols: Examples (1) = component side, (2) = plate side

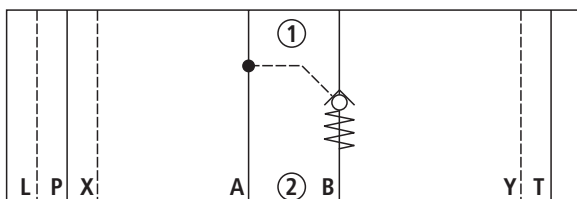
Type Z2S 16 A...



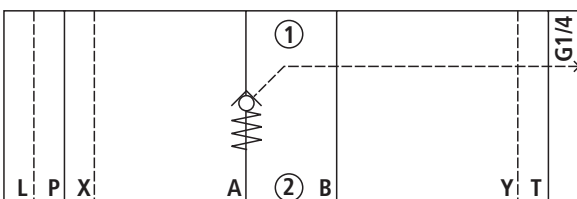
Type Z2S 16 ... and Z2S 16 ...SO55



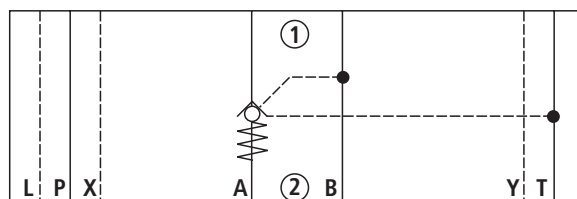
Type Z2S 16 B...



Type Z2S 16 A...SO40



Type Z2S 16 A...SO60



Function, sections, circuit example

The isolator valve Type Z2S is a releasable check valve in sandwich plate design.

It is used for the leak-free blocking of one or two actuator ports, also in case of longer standstill times.

In the direction A① to A② or B① to B②, there is a free flow, in the opposite direction, the flow is blocked.

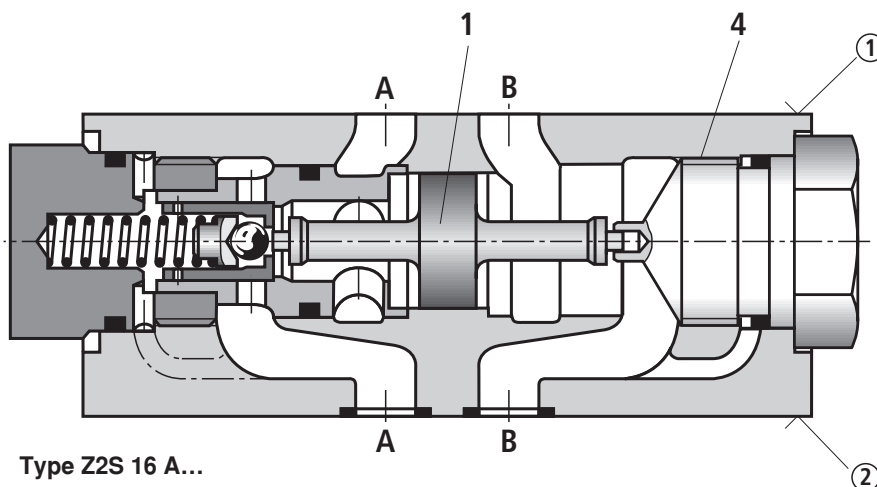
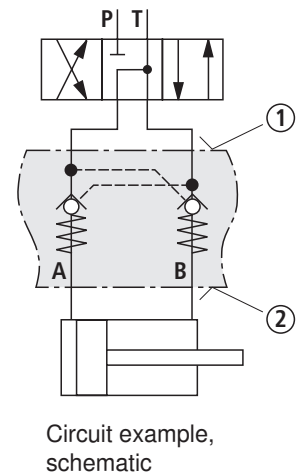
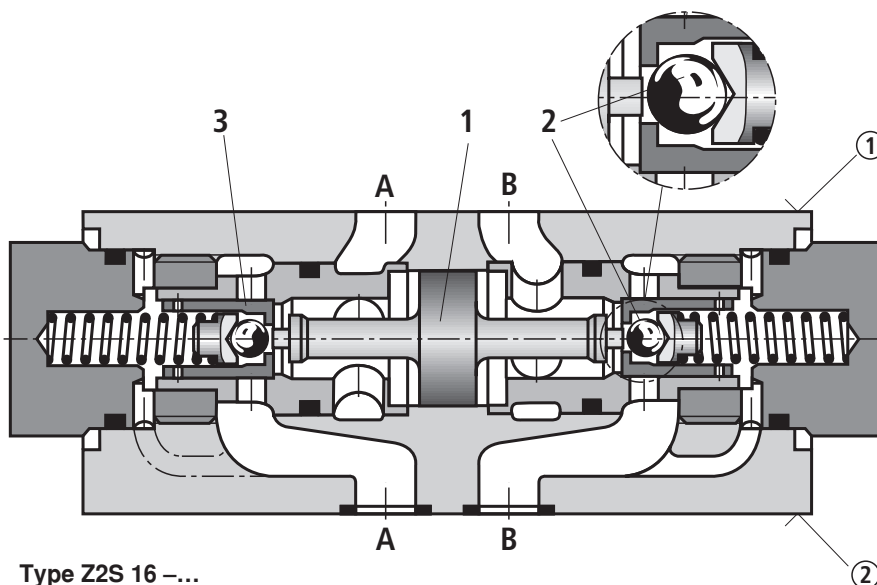
If the valve is, for example, flown through in the direction A① to A②, the control spool (1) is moved in the direction B side, opens the ball seat valve (2) and then pushes the poppet (3) off its seat. Now, hydraulic fluid can flow from B② to B①.

In order to allow for safe closing of the ball seat valve (2), the control spool (1) must be hydraulically unloaded (see circuit example).

Due to the pre-opening, there is a damped decompression of the pressurized liquid. Thus, possible switching shocks are avoided.

Pre-opening

- Due to the two-stage structure with enlarged control open ratio, safe unloading is also possible with lower pilot pressure.
- Avoidance of switching shocks due to dampened decompression of the pressure volume on the actuator side.



① = component side

② = plate side

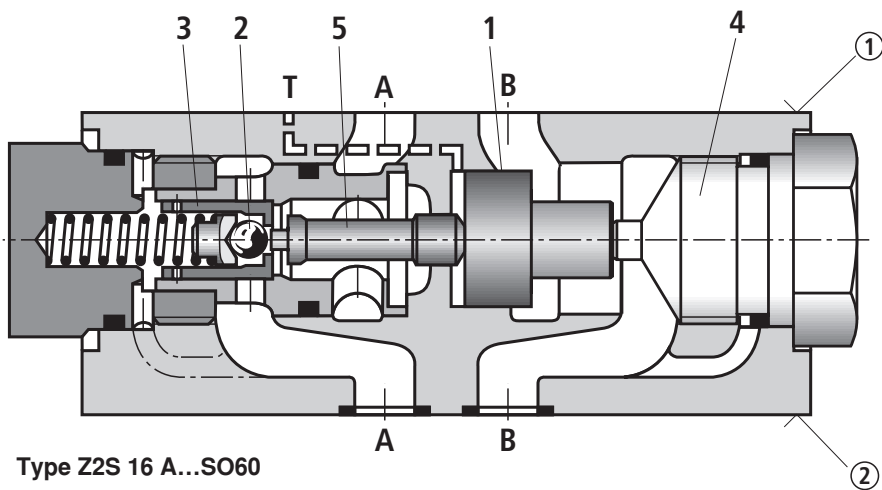
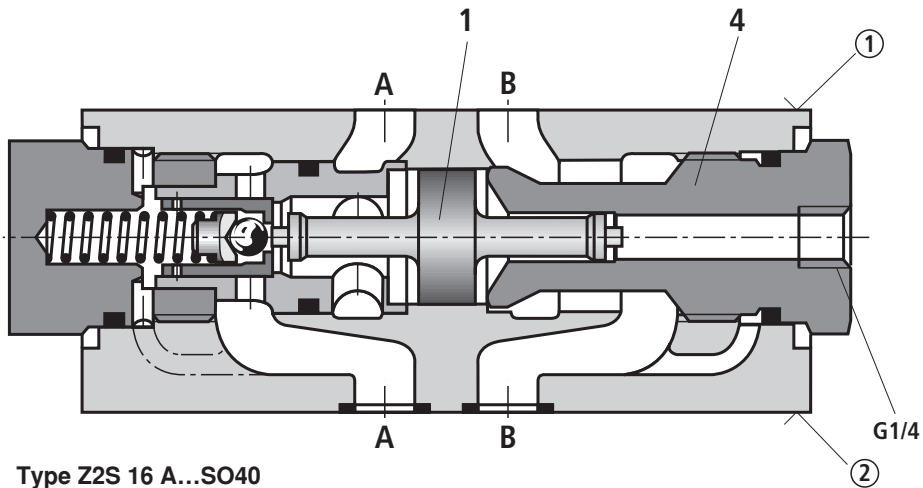
1 Control spool, area A_2

2 Ball, area A_3

3 Poppet, area A_1

4 Positive stop

Function, sections



① = component side

② = plate side

1 Control spool,
area A_2

2 Ball, area A_3

3 Poppet, area A_1

4 Positive stop

5 Control spool,
area A_4

Technical data (For applications outside these parameters, please consult us!)**general**

Weight	kg [lbs]	Approx. 6.5 [14.3]
Installation position		Any
Ambient temperature range	°C [°F]	-30 to +80 [-22 to +176] (NBR seals) -20 to +80 [-4 to +176] (FKM seals)

hydraulic

Maximum operating pressure	bar [psi]	315 [4568]
Cracking pressure in free direction		See characteristic curves page 6
Maximum flow	l/min [US gpm]	300 [79.2]
Direction of flow		See symbols page 2
Hydraulic fluid		- On mineral oil basis and related hydrocarbons (HL, HLP, HVLP, HVLPD, etc.) according to DIN 51524 - Flame-resistant (HFC, HFDU, HFDR) according to ISO 12922 ¹⁾ - Environmentally compatible (HETG, HEES, HEPG, HEPR) according to ISO 15380 ¹⁾ Other hydraulic fluids upon request
Hydraulic fluid temperature range (at the valve working ports)	°C [°F]	-30 to +80 [-22 to +176] (NBR seals) -20 to +80 [-4 to +176] (FKM seals)
Viscosity range	mm ² /s [SUS]	2.8 to 500 [35 to 2320]
Maximum permitted degree of contamination of the hydraulic fluid - cleanliness class according to ISO 4406 (c)		Class 20/18/15 ²⁾
Area ratio	- with pre-opening - Version "SO60"	$A_3/A_2 \sim 1/12$ (see sectional drawing pages 3 and 4) $A_1/A_4 \sim 1/7$ (see sectional drawing page 4)

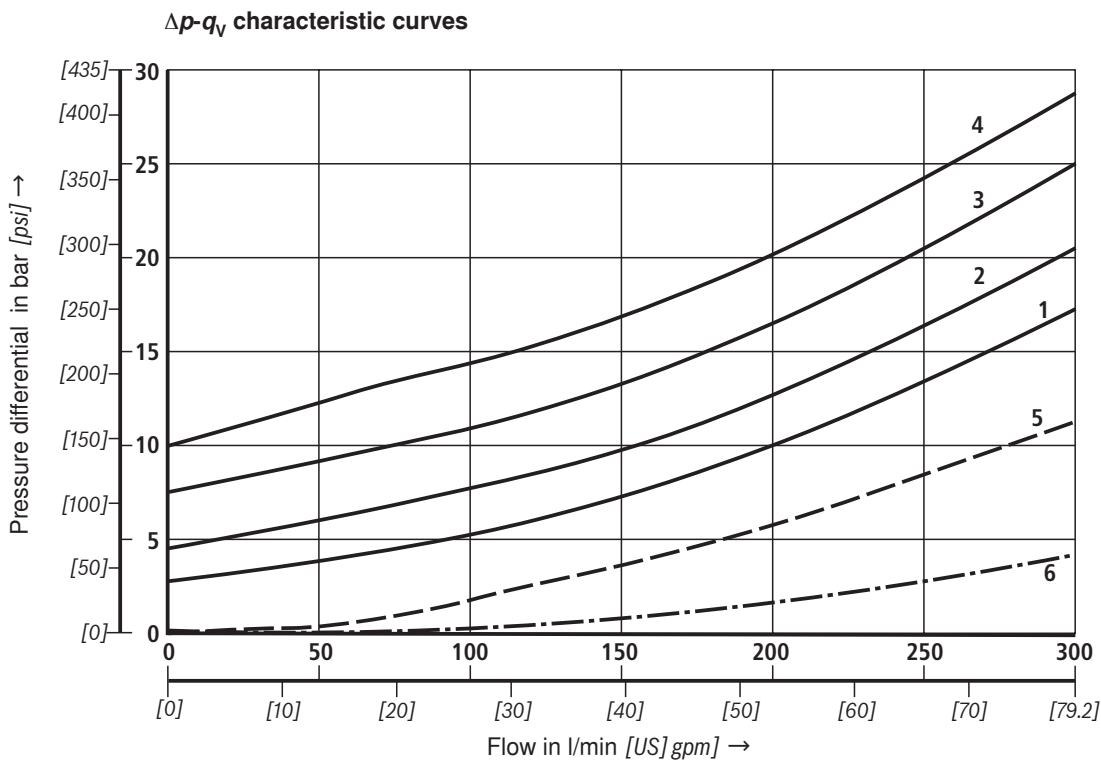
¹⁾ When using flame-resistant or environmentally compatible hydraulic fluids, restrictions with regard to the technical data may be applicable (temperature, pressure range, life time, maintenance intervals, etc.).

²⁾ The cleanliness classes specified for the components must be adhered to in hydraulic systems. Effective filtration prevents faults and at the same time increases the service life of the components.

**Note!**

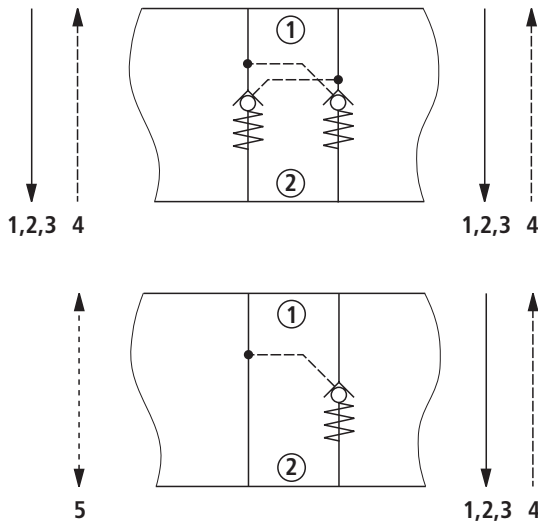
Selection of the perfect sealing material (see ordering code page 2) also depends on the hydraulic fluid used.

Characteristic curves (measured with HLP46, $\vartheta_{oil} = 40 \text{ }^\circ\text{C} \pm 5 \text{ }^\circ\text{C}$ [104 °F ± 9 °F])

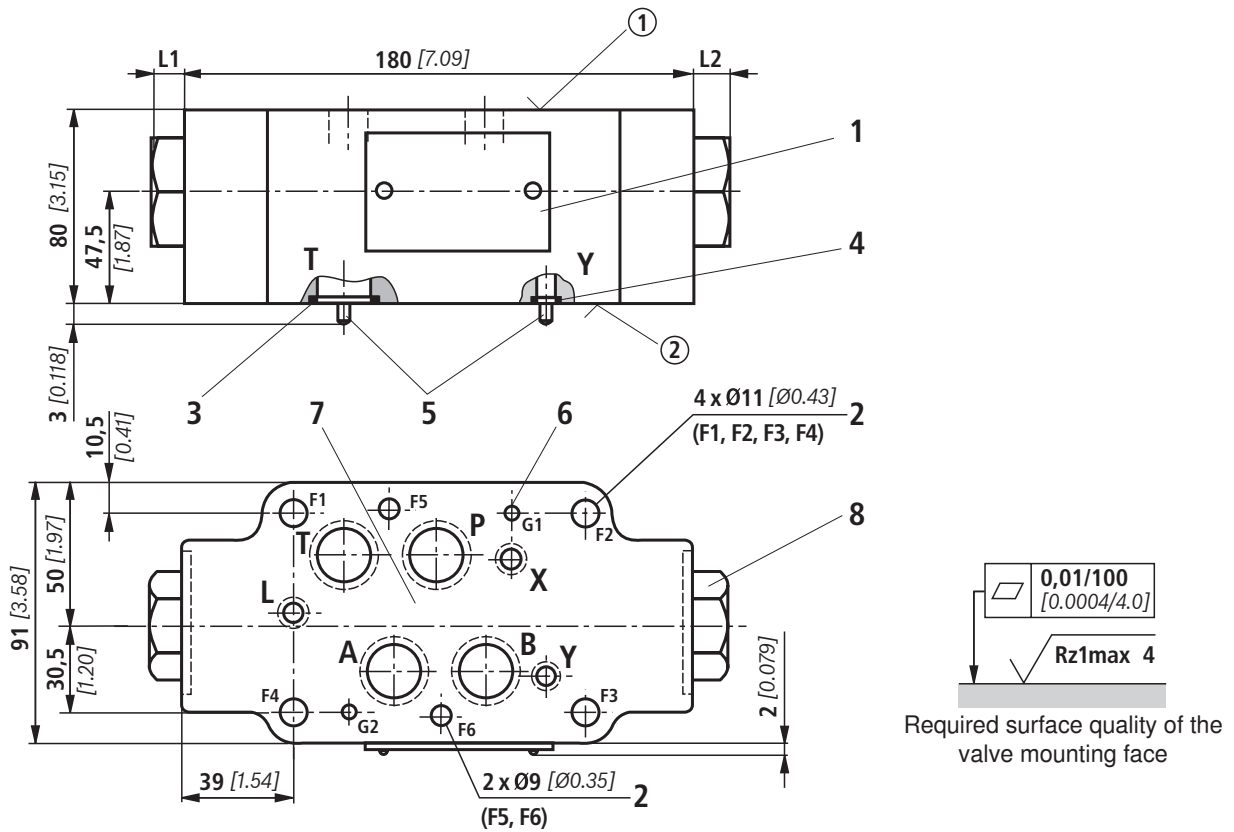


Cracking pressure:

- 1 3 bar [43.5 psi]
- 2 5 bar [72.5 psi]
- 3 7.5 bar [108.8 psi]
- 4 10 bar [145.0 psi]
- 5 Free flow (without check valve use), version "A" or "B"
- 6 Only housing



Unit dimensions (dimensions in mm [inch])



- ① component side
- ② plate side

Item explanations and valve mounting screws see page 8.

Special version	Cracking pressure	Leak-free blocking in channel	L1 in mm [inch]	L2 in mm [inch]
"no code"	1 + 2	"_"	10 [0.39]	10 [0.39]
	3 + 4	"_"	36.5 [1.44]	36.5 [1.44]
	1 + 2	A	10 [0.39]	8.5 [0.33]
	1 + 2	B	8.5 [0.33]	10 [0.39]
	3 + 4	A	36.5 [1.44]	8.5 [0.33]
	3 + 4	B	8.5 [0.33]	36.5 [1.44]
"SO40"	1 + 2	A, B	10 [0.39]	10 [0.39]
	3 + 4	A	36.5 [1.44]	10 [0.39]
	3 + 4	B	10 [0.39]	36.5 [1.44]
"SO60"	1 + 2	A	10 [0.39]	8.5 [0.33]
	1 + 2	B	8.5 [0.33]	10 [0.39]
	3 + 4	A	36.5 [1.44]	8.5 [0.33]
	3 + 4	B	8.5 [0.33]	36.5 [1.44]

Unit dimensions

- 1 Name plate
- 2 Through hole for valve mounting
- 3 Identical seal rings for ports A, B, P, T
- 4 Identical seal rings for ports X, Y, L
- 5 Locating pins
- 6 Locating holes
- 7 Porting pattern according to ISO 4401-07-07-0-05 and NFPA T3.5.1 R2-2002 D07
- 8 Plug screw SW41,
tightening torque $M_A = 70 \text{ Nm}$ [51.6 ft-lbs]

Valve mounting screws (separate order)

4 hexagon socket head cap screws ISO 4762 - M10 - 10.9

2 hexagon socket head cap screws ISO 4762 - M6 - 10.9

4 hexagon socket head cap screws 3/8"-16 UNC

2 hexagon socket head cap screws 1/4"-20 UNC

 **Note!**

The length of the valve mounting screws of the sandwich plate valve must be selected according to the components mounted under and over the isolator valve.

Depending on the application, screw type and tightening torque must be adjusted to the circumstances.

Please ask Rexroth for screws with the required length.