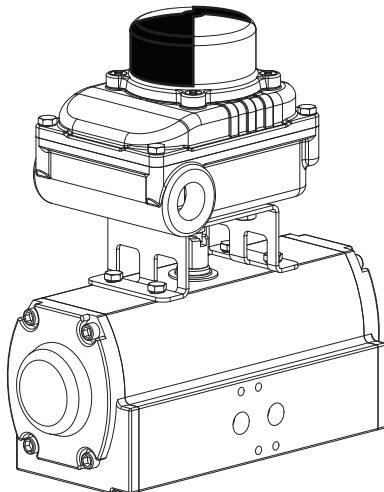




Weather Proof position monitoring switches



LSB series position monitoring switch boxes are primarily a rotary position indication device designed to integrate valve and NAMUR rotary pneumatic actuator with a variety of mounting options, internal switches or sensors and configurations.

LSB 1000 series

LSB 1000 series are specially designed suitable for small size pneumatic actuator and valves to reduce installation space, but provides high performance by equipping a variety of switches and sensors.

► FEATURES

- Weatherproof to IP67 (Option : IP68)
- Rugged Aluminum Die-Cast Housing
- Various Switches and Sensors
(available with Honeywell / P&F)
- NAMUR Mounting Shaft or Fork Lever Shaft
adjustable for a NON-NAMUR pneumatic Actuator

► OPTIONS :

- 2 x SPDT Mechanical Limit Switch
- 4 x SPDT Mechanical Limit Switch
- 2 x P&F Proximity Sensor

Item	Standard	Option
Enclosure	Weather proof IP67, O-ring sealed	IP 68
Body Material / Outside coating	Aluminum Die-Cast / Powdered-Coating	Upon Request
Operating temperature	-40°C ~ +100°C	Upon Request
Electrical Cnnnections	PF 1/2"	PT 3/4", NPT 3/4", NPT 1/2", M20 x 1.5
Position indicator	Beacon Indicator 90° (Open / Close)	Other Flow Directions (L-port, or T-port)
Mounting bracket	Rotary Type 30 x 80 x 20(H)	30x80x30(H), 30x130x30(H), 30x130x50(H), Others
Switches (Sensors)	(2) SPDT Mechanical Switch	(4) SPDT Mechanical Switch P&F Sensors Autonics Sensors Others