

Air-Cooled Thermopile Sensors

10 mW to 30W



Models PM2, PM10, PM30

Features

- Convective air-cooled
- Spectrally flat from 0.19 μm to 11 μm
- 1 to 10 mW resolution
- 19 mm aperture

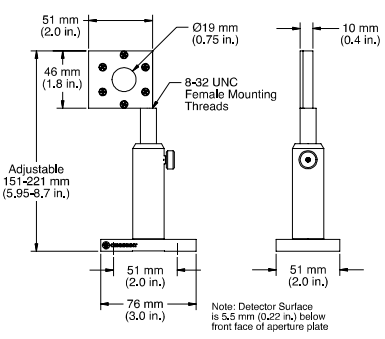
These thermopile sensors are used to measure CW and pulsed lasers from 10 mW up to 30W average power output. These sensors are able to dissipate heat via convection cooling, which makes them convenient to use.

Device Specifications	Model	PM2	PM10	PM30
Wavelength Range (μm)			0.25 to 11	
Power Range		10 mW to 2W	10 mW to 10W	100 mW to 30W
Long-Pulse Joules Range (J)		0.5 to 2	0.5 to 10	0.5 to 50
Max. Intermittent Power (<5 min.)(W)		5	30	50
Resolution (mW)		1		10
Max. Power Density		6 kW/cm ²		
Max. Energy Density		0.6 J/cm ² , 1064 nm, 10 ns		
Response Time (sec.)		2		
Detector Coating		Broadband		
Active Area Diameter (mm)		19		
Calibration Uncertainty (%) (k=2)		± 1		
Calibration Wavelength (nm)		514		
Cooling Method		Air-cooled		
Cable Type		PM DB-25		
Cable Length (m)		2		
Part Number		1098329**	1097901**	1098314**

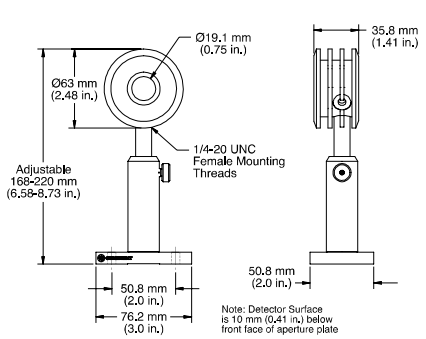


**C24 Quick Ship program: eligible for next business day shipment.

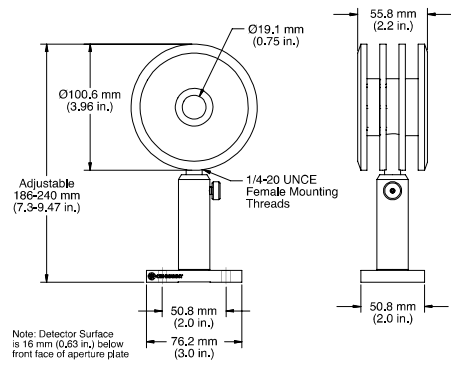
PM2



PM10



PM30



- POWER & ENERGY
- Power & Energy Meters
- USB/RS Power Sensors
- DB-25 Power Sensors
- USB/RS Energy Sensors
- DB-25 Energy Sensors
- Custom & OEM
- BEAM DIAGNOSTICS
- CALIBRATION & SERVICE
- Laser Cross-Reference Index
- Model Name Index