

This drawing is exclusive property of ULTRA POMPE srl without written license of the owner. It is not allowed to use it for manufacturing the object hereabove described, or to take pieces of information from it, as it is stated in the european community property law

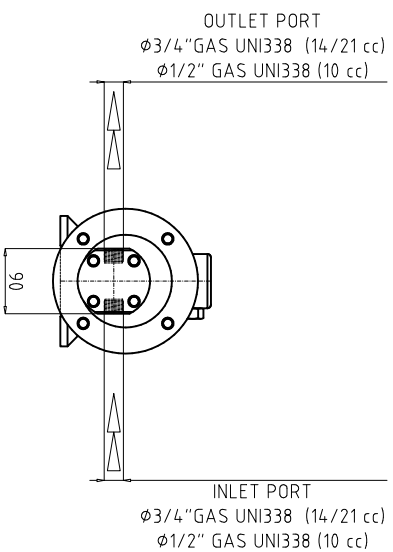
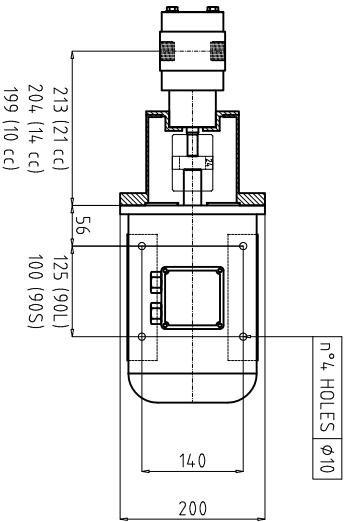
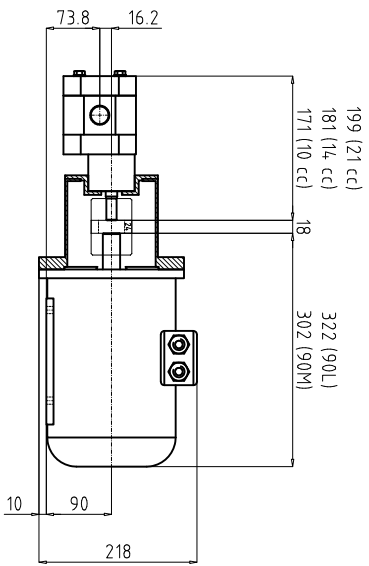


View:  
Dimension:  
mm

Date:

Autore/Drawn by:  
D. Affo

ULTRA POMPE S.r.l.  
Via Goldoni 37 | 20090 Trezzano S/N (MI) | T. 02/48464552 | F. 02/48464544



Rotation R (Right)

IN and OUT pipes must be screwed into the respective ports without any tension, independently supported and the weight must not rest on the pump.

As standard pump are meant to be installed with right (R) rotation. On pumps label is indicated if the pumps can work in both sense (L/R) or if is limited to only one rotation sense (L or R)

Available motor power:	KW1.1 4P
Size 90S	KW0.75 6P
	KW0.37 8P
Size 90L	KW1.5 4P
	KW1.1 6P
	KW0.55 8P

Pump type:  
GL/SL/HL-10/14/21-...

Drive unit type:  
Mot. B3/B5 90

Coupling on pump:  
R24 Ø14

Coupling on drive unit:  
R24 Ø24