

**SPECIFICATIONS**

**OPTICAL**  
 MODE: CW  
 WAVELENGTH: 635nm TYPICAL  
 OUTPUT POWER: 5.0mW±5% @ FACE  
 LASER CLASS: CDRH 21CFR § 1040: IEC 60825-1  
 SPOT SIZE @ FACE: 1mm TYPICAL  
 BEAM DIVERGENCE: 1mrad TYPICAL  
 CIRCULARITY: >80%  
 RMS NOISE: <0.1% (10Hz~10MHz), TYPICAL 0.06%

**ELECTRICAL**

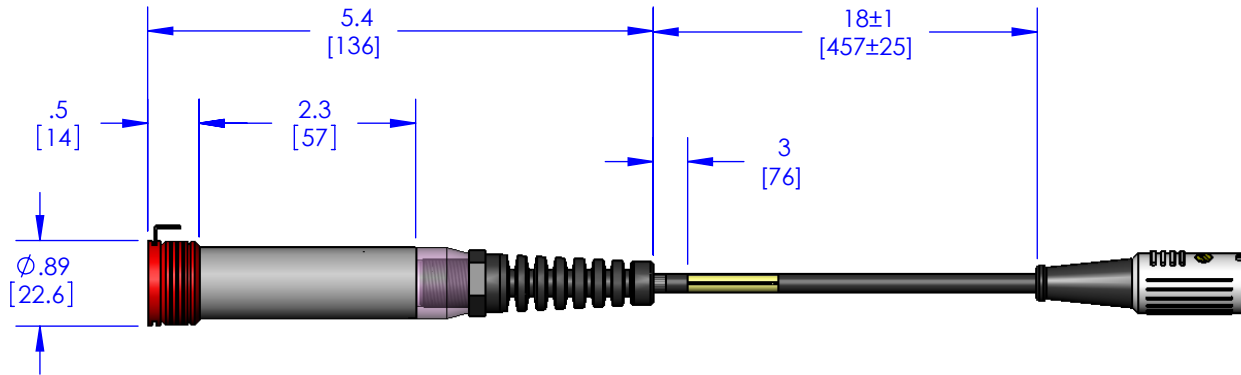
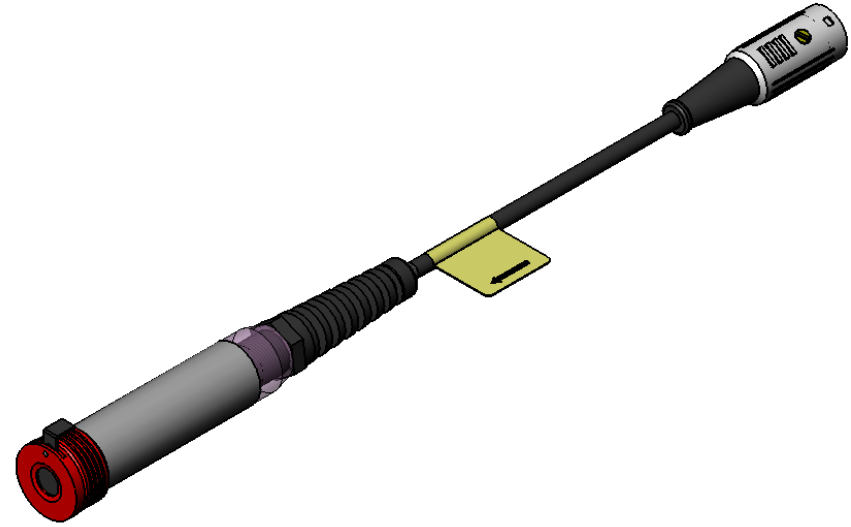
OPERATING VOLTAGE: 5 PIN DIN  
 TERMINATION: GROUND (BLACK LEAD)  
 PIN 1: OPEN  
 PIN 2: 5VDC POWER (RED LEAD)  
 PIN 3: OPEN  
 PIN 4: 12VDC~15VDC (WHITE LEAD)  
 PIN 5: 70mA TYPICAL  
 OPERATING CURRENT: 150mA MAX

**MECHANICAL**

OPERATING TEMP: -10°C~+40°C  
 CASE: ANODIZED: ELECTRICALLY NEUTRAL

**VALUES @ 25°C**

CW  
 635nm TYPICAL  
 5.0mW±5% @ FACE  
 CLASS IIIb, NON-CONFORMING  
 CLASS 3B  
 1mm TYPICAL  
 1mrad TYPICAL  
 >80%  
 <0.1% (10Hz~10MHz), TYPICAL 0.06%



THIS DOCUMENT IS PROPERTY OF COHERENT, INC., AND IS DELIVERED ON THE EXPRESS CONDITION THAT IT IS NOT TO BE DISCLOSED, REPRODUCED IN WHOLE OR IN PART OR USED FOR MANUFACTURE FOR ANYONE OTHER THAN COHERENT INC., WITHOUT IT'S WRITTEN CONSENT, AND THAT NO RIGHT IS GRANTED TO DISCLOSE OR SO USE ANY INFORMATION CONTAINED IN SAID DOCUMENT. THIS RESTRICTION DOES NOT LIMIT THE RIGHT TO USE INFORMATION OBTAINED FROM ANOTHER SOURCE.				MATERIAL: X		COHERENT 12840 Bill Clark Way, Auburn, California 95602 (530) 823-9550			
				FINISH: X					
				PARTS MUST CONFORM TO COHERENT ENG SPECIFICATION #0900-000-00.				TITLE SYS, LABLASER, ULN, 5mW, 635nm	
				ALL DIA'S TO BE CONCENTRIC WITHIN .005 TIR UNLESS OTHERWISE SPECIFIED, DIMENSIONS ARE IN INCHES AND TOLERANCES ARE: DEC .X .1 mm .1 .XX .01 cm .1 .XXX .005 ANG 1° BREAK ALL SHARP EDGES .005-.010				FIN ✓ DO NOT SCALE DRAWING	
DRAWN KELLEY,G	DATE 10-16-07	CHECKED X	DATE	ENGINEER KELLEY,G	DATE 11-06-00	RELEASED X	DATE X		
DESIGNER KELLEY,G	DATE 11-06-00	PROJECT X	DATE X	QUALITY X	DATE X				
SIZE A		DRAWING NO. 31-0144-000		REV AH		SCALE 1:1			
		SHEET 1		OF 2					