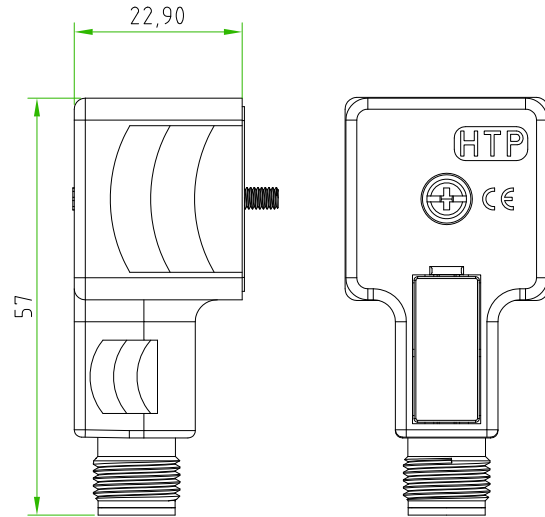
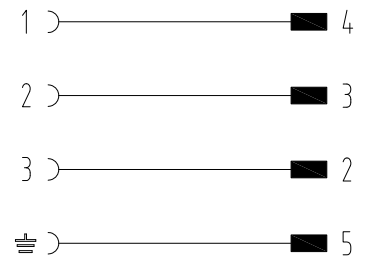
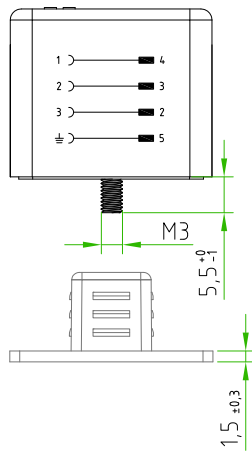
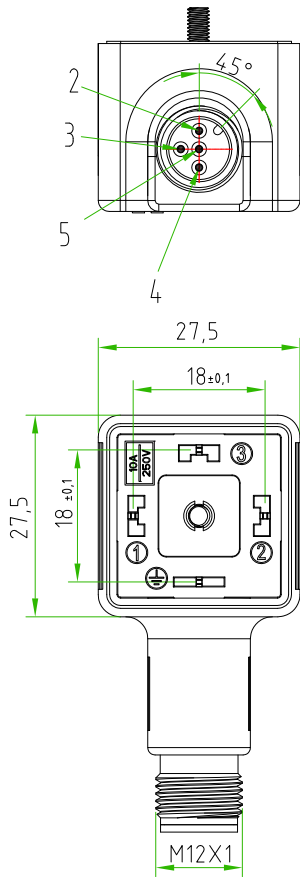
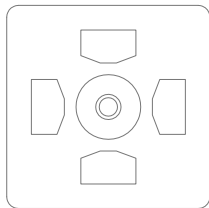


Rev.	Modify	Date	Signed	Approved

Rev.	Modify	Date	Signed	Approved

Rev.	Modify	Date	Signed	Approved



PRODUCT TYPE	ADAPTER CONNECTOR EN175301-803 (TYPE A) + M12 CIRCULAR CONNECTOR
CONNECTOR TYPE	SQUARE CONNECTOR EN175301-803(TYPE A)
CONNECTOR COLOUR	BLACK
CONTACTS SPACING	18mm
NUMBER OF CONTACTS	3POLES+EARTH
EARTH POSITIONING	H.6
CENTRAL FIXING SCREW	M3X0,5 L=25mm
GASKET TYPE	INTEGRATED (NBR)
PROTECTION CLASS	IP67
CIRCUIT TYPE	WITHOUT ELECTRONIC
RATED VOLTAGE	60V AC/DC
M12 CONNECTOR TYPE	STRAIGHT 180°
M12 CONTACTS TYPE	MALE 4POLES
M12 CONTACTS CONNECTED	N°4
CONNECTOR WITH H.T.P.LOGO	

CUSTOMER APPROVAL

SIGNATURE DATE

PLEASE SIGN AND RETURN

Designer	CIMMINO L.	Date	2015-11-20	Tolerance	±0.3	Units:	mm	Series	ADAPTER	Drawing n. 1-1
Approved	MAZZOLA M.	Date	2015-11-20	Scale	1:1	Size:	A4	Customer code:		

DESCRIPTION

ADAPTER SQUARE CONNECTOR EN175301-803 INDUSTRIAL STANDARD (type-A), 3P.+P.E., 18mm, BLACK, WITHOUT ELECTRONIC, +M12 CONNECTOR MALE 4POLES. CONNECTOR WITH H.T.P.LOGO

H.T.P.PART NUMBER

G1N03000A-12MD



A4

