

Benennung/Description

**Blitz-Sirene 42 Töne**  
**Flash/Sounder 42 tones**

Artikel-Nummer  
Material number  
**442 0#0 XX**

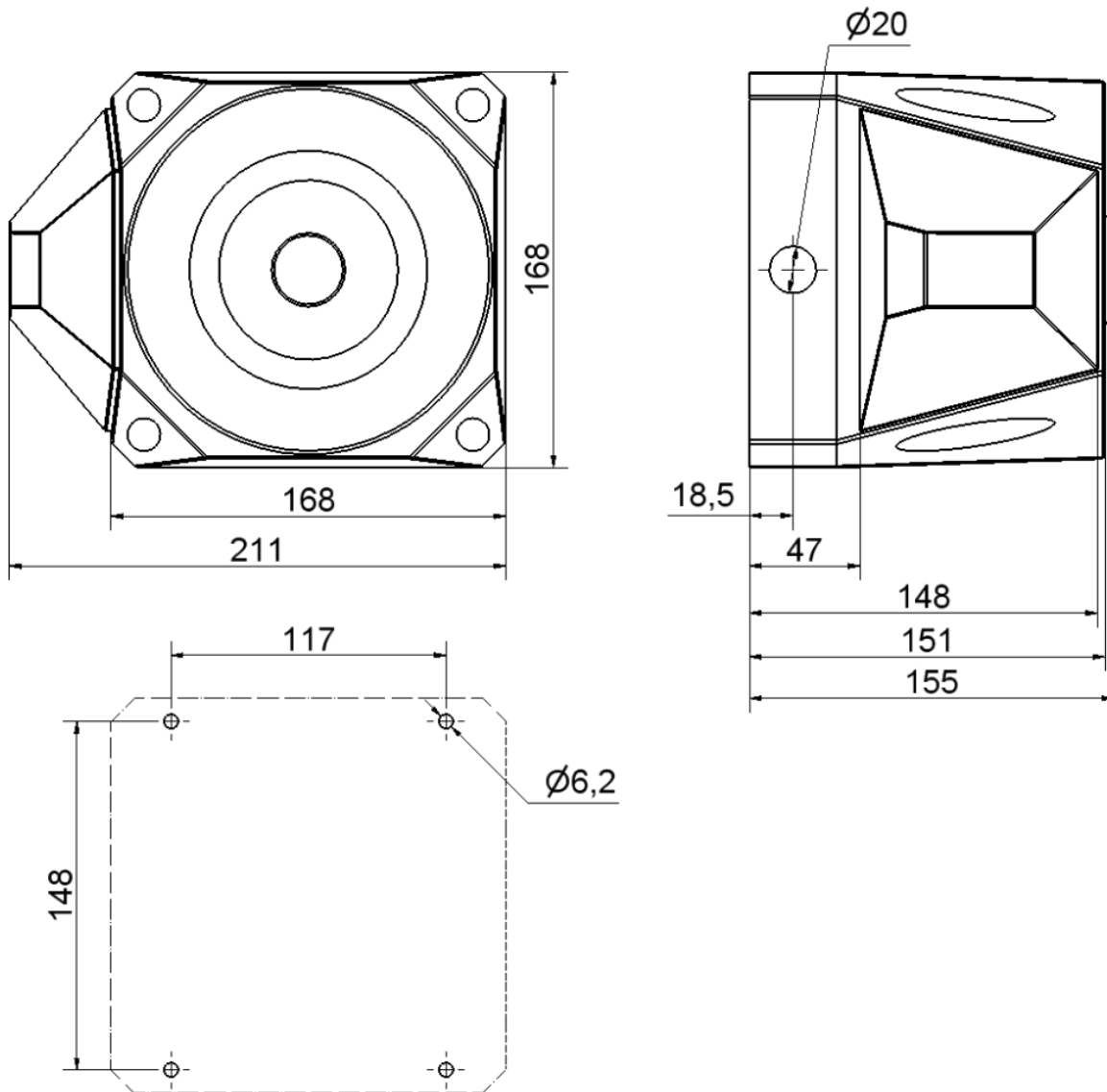
Ausdruck ist nur zur Information und wird bei Änderung nicht berücksichtigt. / This printed copy is for information only and is subject to alteration.

Bestell-Nr./ order no.		Gehäuse/ Housing	Stromaufnahme/ Current consump.	
<b>442 0#0 55</b>	18-30VDC	RD	450 mA	ca. 1800 g
<b>442 0#0 68</b>	115-230VAC	RD	130/65 mA	ca. 2200 g



# 1 = RD 3 = YE

Andere Spannungen auf Anfrage / other voltages available on request



Stufe 1+2 Stage 1+2	Code 123456	Tonart Tone type	Frequenz Frequency	Beschreibung Description	Einsatz Use	Stufe 3 Stage 3	dB(A)/1m
A1	111111	alternierend/alternating	800 + 970	2Hz (250ms-250ms)	-	A14	120
A2	111110	ansteigend/rising	800 + 970	7Hz (7/s)	-	A14	120
A3	111101	ansteigend/rising	800 + 970	1Hz (7/s)	-	A14	120
A4	111100	dauer/continuous	2850	-	-	A9	111
A5	111011	ansteigend/rising	2400 ... 2850	7Hz	-	A4	109
A6	111010	ansteigend/rising	2400 ... 2850	1Hz	-	A4	110
A7	111001	ansteigend/rising	500 ... 1200	3s, then 0,5s OFF (then repeat)	Slow Whoop Holland	A14	119
A8	111000	abfallend/falling	1200 ... 500	1Hz	DIN/PFEER alert	A14	119
A9	110111	alternierend/alternating	2400 + 2850	2Hz (250ms-250ms)	-	A4	113
A10	110110	pulsierend/pulse	970	0,5Hz (1s ON/1s OFF)	-	A14	117
A11	110101	alternierend/alternating	800 + 970	1Hz (500ms - 500ms)	-	A14	118
A12	110100	pulsierend/pulse	2850	0,5Hz (1s ON/1s OFF)	-	A4	112
A13	110011	unterbrochen/intermittend	970	0,8Hz /250ms ON/1s OFF)	-	A14	117
A14	110010	dauer/continuous	970	-	PEER - Toxic gas	A8	118
A15	110001	alternierend/alternating	554 + 440	100ms - 400ms	France NFS 32 S 32-001	A14	115
A16	110000	pulsierend/pulse	660	3,3Hz (150ms ON/150ms OFF)	Swedish (Air raid)	A14	114
A17	101111	pulsierend/pulse	660	0,28Hz (1,8s ON/1,8s OFF)	Swedish (Local warning)	A14	115
A18	101110	pulsierend/pulse	660	0,05Hz (6,5s ON/13s OFF)	Swedish (Pre-mess)	A14	115
A19	101101	dauer/continuous	660	-	Swedish (All clear)	A1	115
A20	101100	alternierend/alternating	554 + 440	0,5Hz (1s ON/1s OFF)	Swedish (Turn out)	A19	116
A21	101011	pulsierend/pulse	660	1Hz (500ms - 500ms)	Swedish	A4	115
A22	101010	pulsierend/pulse	2850	4Hz (150ms ON/100ms OFF)	-	A4	110
A23	101001	ansteigend/rising	800 ... 970	50Hz	-	A14	117
A24	101000	ansteigend/rising	2400 ... 2850	50Hz	-	A4	110
A25	100111	pulsierend/pulse	970	3x500s Puls, 1,5s Pause, dann Wiederholung/ 3x500s Pulses, 1,5s silence, then repeat	ISO 8201/US Temporal	A14	118
A26	100110	pulsierend/pulse	2850	3x500s Puls, 1,5s Pause, dann Wiederholung/ 3x500s Pulses, 1,5s silence, then repeat	ISO 8201/US Temporal	A4	112
A27	100101	dauer/continuous	4000	-	-	A6	105
A28	100100	alternierend/alternating	800 + 970	2Hz (250ms - 250ms)	-	A14	118
A29	100011	alternierend/alternating	900 + 650	2Hz (250ms - 250ms Symphonie tones)	-	A14	117
A30	100010	alternierend/alternating	510 + 610	2Hz (250ms - 250ms)	-	A14	116
A31	100001	ansteigend/rising	300 ... 1200	1Hz	-	A14	118
A32	100000	dauer/continuous	Klingen/Bell	-	-	A3	117
A33	011111	dauer/continuous	Klingen/Bell	3x500s Puls, 1,5s Pause, dann Wiederholung/ 3x500s Pulses, 1,5s silence, then repeat	Bell/US Temporal	A14	117
A34	011110	alternierend/alternating	1000 + 2000	1Hz (500ms - 500ms)	Singapore	A4	115
A35	011101	pulsierend/pulse	420	0,625s	Australian alert	A14	118
A36	011100	ansteigend/rising	500 ... 1200	Sweep 3,75s followed 0,25s gap	Australian evac	A14	117
A37	011011	ansteigend/rising	1400 ... 1600	Sweep up 1s, sweep down 0,5s	NF C 48-265	A14	116
A38	011010	ansteigend, abfallend/ rising, falling	500 ... 1200	Sweep up & down over 3s	Siren	A14	117
A39	011001	pulsierend/pulse	720	0,7s ON/0,3s OFF	German ind alarm	A14	118
A40	011000	ansteigend/rising	422 ... 775	Sweep 0,85s, 1s deley, repeat	NFPA Whoop	A14	118
A41	010111	dauer/continuous	470	-	Horn (AUS)	A3	114
A42	010110	dauer/continuous	370	-	Air Horn (AUS)	A3	113

Spannung und Blitzfrequenz Voltage and flash frequency Voltage et fréquence du flash	120/min	85/min	60/min	45/min
18V	389mA	328mA	339mA	211mA
19V	368mA	311mA	321mA	200mA
20V	350mA	295mA	305mA	190mA
21V	333mA	281mA	290mA	181mA
22V	318mA	268mA	277mA	173mA
23V	304mA	257mA	265mA	165mA
24V	292mA	246mA	254mA	158mA
25V	280mA	236mA	244mA	152mA
26V	269mA	227mA	235mA	146mA
27V	259mA	219mA	226mA	141mA
28V	250mA	211mA	218mA	136mA
29V	241mA	203mA	210mA	131mA
30V	233mA	197mA	203mA	127mA

<b>Elektrische Daten</b>		<b>Electrical specifications</b>	
Blitzfrequenz	ca. 0,75 / 1 / 1,4 / 2 Hz	Flashing frequency	ca. 0,75 / 1 / 1,4 / 2 Hz
Blitzleistung	Siehe Liste	Flashing energy	See list
Einschaltdauer	100 % ED	Duty cycle	100 %
Lautstärke	120 dB(A) / 1m	Volume	120 dB(A) / 1m
Spannungsbereich	18 -30 V ± 0 % 115-230 V ± 0 %	Voltage range	18 -30 V ± 0 % 115-230 V ± 0 %
	<b>Sirene</b> (24V) 450 mA (115V) 130 mA (230V) 65 mA <b>Blitz</b> (24V) Tabelle/List (115V) Kein Blitz/No Flash (230V) 15 mA		<b>Siren</b> (24V) 450 mA (115V) 130 mA (230V) 65 mA <b>Flash</b> (24V) List (115V) No Flash (230V) 15 mA
Stromaufnahme		Current consumption	
Tonart	42 Töne	Tone type	42 tones
Tonfrequenz	ca. 300 - 4000 Hz	Tone frequency	ca. 300 - 4000 Hz
<b>Mechanische Daten</b>		<b>Mechanical specifications</b>	
Anschluss	Anschlussklemme mit Drahtschutz 0,25-2,5mm <sup>2</sup> eindräh- tig/ 0,25-1,5mm <sup>2</sup> mit Ader- endhülse	Connection	Terminal clamp with wire protection single wire / 0,25-1,5mm <sup>2</sup> with ferrule
Befestigung	Wandmontage	Fixing	Wall mounting
Einbaulage	Schallaustritt nicht nach oben	Installation position	Sound outlet not facing up- wards
Schutzart	IP66 in montiertem Zustand	Protection rating	IP66 when mounted
Temperatur	-25° ... +75 °C	Temperature	-25° ... +75 °C
Umgebungs- bedingungen	Verschmutzungsgrad 3, U <sub>i</sub> = 250V; U <sub>imp</sub> = 2.500V, Überspannungskategorie II	Environmental conditions	Pollution degree 3, U <sub>i</sub> = 250V; U <sub>imp</sub> = 2.500V, Overvoltage category II
Werkstoff Gehäuse	PC/ABS-blend	Material housing	PC/ABS-blend
Werkstoff Kalotte	PC	Material dome	PC
<b>Sonstige Daten</b>		<b>Other specifications</b>	
Besonderheiten	Lautstärkeeinstellung max. -20dB(A) Blitzfrequenz bei 24V-Version einstellbar (45/60/85/120/Min)	Characteristics	Volume control max. -20dB(A) Flash frequency at 24V – version adjustable (45/60/85/120/Min)
Hinweis	Alle Angaben beziehen sich auf U <sub>nenn</sub> und Raumtemperatur. Die Hinweise der Montageanlei- tung sind zu beachten.	Note	All specifications refer to U <sub>nom</sub> and room temperature. The advice contained in the instal- lation instruction is to be observed.
Vorschriften	Die zutreffenden EU-Richtlinien werden erfüllt.	Regulations	Conforms to current EU Directives.
Zulassung		Approval	

