

PS1 Single Pressure Controls are designed for use on high and low pressure applications in refrigeration, airconditioning and heat pump systems, providing single-device control of the compressor or other electrical device.

Features

- Adjustable pressures and differentials
- Narrow adjustable differential depending on model
- Range and differential pointer in units bar and psig
- Range and differential individually lockable by tab
- High rated SPDT contacts for all versions
- Captive terminal and cover screws
- Manual toggle for system checkout and override



Options

- Different pressure connections
- Automatic and manual reset versions
- Factory set to customer specification

Specifications

- SPDT switch rated for 12FLA and 72LRA at 240VAC and 16FLA and 96LRA at 120VAC
- Agency approvals include:
UL/CUL file number E85974
CE per (LVD) low voltage directive

Nomenclature

Type code

PS1 -

Product Name

PS1 = Adjustable Single Pressostat

Function

A = Pressure control, automatic
 B = Pressure cut out, external manual reset EN 12263
 R = Pressure control, external manual reset
 W = Pressure limiter, automatic, DIN/EN 12263

Pressure connector

A = 7/16" -20 UNF male (1/4" SAE male flare)
 K = 1m cap tube and schrader valve opener, 7/16" -20UNF flare nut
 U = 6mm ODF solder, 80mm lenght
 R = 1/4" male, brass (1/4" BSPP Fitting)

Pressure range

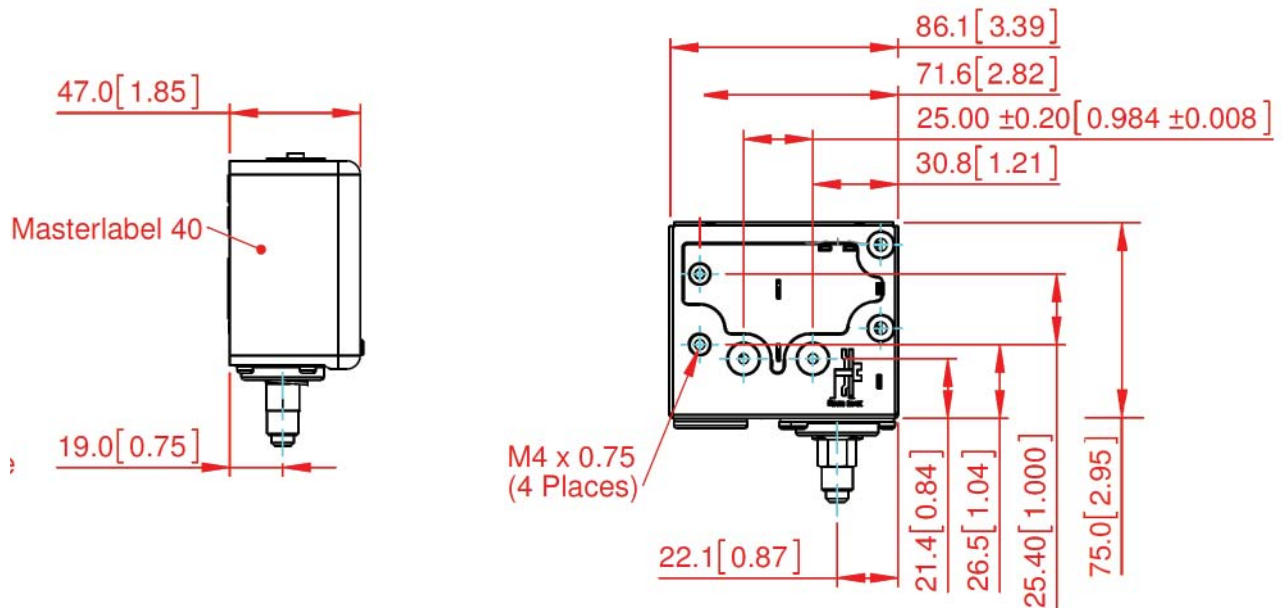
3 = -0.3 to 7 bar
 4 = 2 to 20 bar
 5 = 6 to 31 bar

Ordering Information

Single Pressure Control	PCN	Pressure Range (bar)	Differential (bar)	Factory Setting (bar)	Function	Pressure Connection
PS1-A3A	099035	-0.3 to 7	1 to 5	3.4	Automatic	1/4" SAE male flare
PS1-A3K	099041	-0.3 to 7	1 to 5	3.4	Automatic	1m cap tube with nut
PS1-A3R	099014	-0.3 to 7	1 to 5	3.4	Automatic	1/4" BSPP fitting
PS1-A3U	099015	-0.3 to 7	1 to 5	3.4	Automatic	6mm tube, 80mm length
PS1-A4A	099016	2 to 20	3 to 15	10	Automatic	1/4" SAE male flare
PS1-X4A	099043	2 to 20	3 to 15	10	Automatic	1/4" SAE male flare
PS1-A5A	099036	6 to 31	3 to 15	20	Automatic	1/4" SAE male flare
PS1-A5K	099039	6 to 31	3 to 15	20	Automatic	1m cap tube with nut
PS1-B5U	099020	6 to 31	3 to 15	20	Extrenal Manual Reset	6mm tube, 80mm length
PS1-R5A	099037	6 to 31	Fixed	20	Extrenal Manual Reset	1/4" SAE male flare
PS1-W5U	099033	6 to 31	3 to 15	20	Automatic	6mm tube, 80mm length
Bracket	099019					

Note: Bracket not included with controls. Sold separately. 100 brackets per box.

Dimensional Diagram mm (in)



PS2 Dual Pressure Controls are designed for use on high and low pressure applications in refrigeration, airconditioning, and heat pump systems. This control react to changes in either low or high side pressures, providing single-device control of the compressor or other electrical device.

Features

- Adjustable pressures and differentials
- Narrow adjustable differential depending on model
- Range and differential pointer in units bar and psig
- Range and differential individually lockable by tab
- High rated SPDT contacts for all versions
- Captive terminal and cover screws
- Manual toggle for system checkout and override
- Factory installed wire bridge for reduced installation effort
- High side convertible from manual to auto reset.

Options

- Different pressure connections
- Automatic and manual reset versions
- Factory set to customer specification



Specifications

- SPDT switch rated for 12FLA and 72LRA at 240VAC and 16FLA and 96LRA at 120VAC
- Agency approvals include: UL/CUL file number E85974, CE per (LVD) low voltage directive

Nomenclature

Type code

PS2 -

Product Name

PS2 = Adjustable Dual Pressostat

Function

A = Both sides, automatic pressure controls
G = Left side: cut out, external manual reset EN 12263
 Right side: cut out, external manual reset EN 12263
L = Left side: automatic pressure control
 Right side: external manual reset
M = Left side: automatic pressure control
 Right side: convertible R to A
R = Both sides: external manual reset

Pressure connector

A = 7/16" -20 UNF male (1/4" SAE male flare)
K = 1m cap tube and schrader valve opener, 7/16" -20UNF flare nut
R = 1/4" ODF solder, 80mm length

Pressure range

7 = -0.3 to 7 bar 6 to 31 bar
8 = 6 to 31 bar 6 to 31 bar

Ordering Information

Dual Pressure Control	PCN	Pressure Range (bar)			Differential (bar)			Function	Pressure Connection
		Left side	Right side	Factory setting	Left side	Right side	Factory setting	Left / Right	
PS2-A7A	099038	-0.3 to 7	6 to 31	3.4	1 to 5	Fixed	20	Automatic / Automatic	1/4" SAE male flare
PS2-A7K	099001	-0.3 to 7	6 to 31	3.4	1 to 5	Fixed	20	Automatic / Automatic	1m cap tube with nut
PS2-G8A	099002	-0.3 to 7	6 to 31	20	1 to 5	Fixed	21	External Manual Reset / Internal Manual reset	1/4" SAE male flare
PS2-L7A	099040	-0.3 to 7	6 to 31	3.4	1 to 5	Fixed	20	Automatic / External Manual Reset	1/4" SAE male flare
PS2-L7X	099004	-0.3 to 7	6 to 31	3.4	1 to 5	Fixed	20	Automatic / External Manual Reset	80mm cap tube with 1/4" ODF fitting
PS2-M7A	099042	-0.3 to 7	6 to 31	3.4	1 to 5	Fixed	20	Automatic / Convertible from Automatic to Manual	1/4" SAE male flare
PS2-R7A	099007	-0.3 to 7	6 to 31	3.4	1 to 5	Fixed	20	External Manual Reset / External Manual reset	1/4" SAE male flare
Bracket	099019								

Note: Bracket not included with controls. Sold separately. 100 brackets per box.

Dimensional Diagram mm (in)

