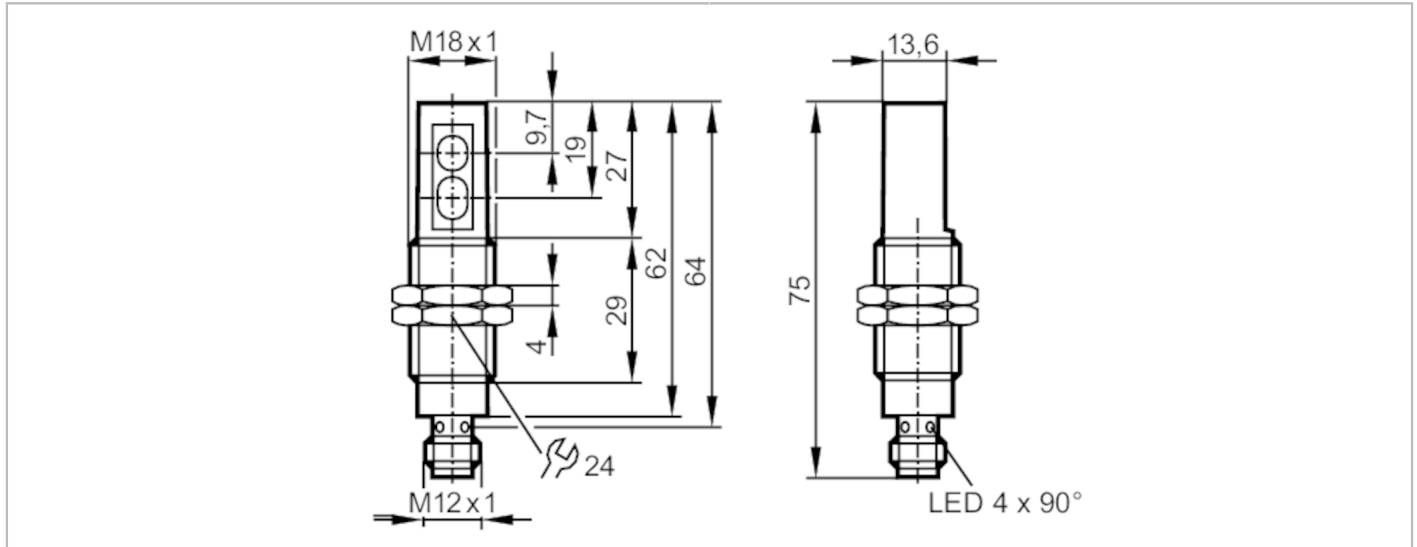


OG5130



Diffuse reflection sensors with background suppression

OGH-CPKG/US/90°/70MM




Product characteristics	
Type of light	red light
Housing	Threaded type
Application	
System	Background suppression
Function principle	Diffuse reflection sensor
Electrical data	
Operating voltage [V]	10...30 DC; (cULus - Class 2 source required)
Current consumption [mA]	25
Protection class	II
Reverse polarity protection	yes
Type of light	red light
Wave length [nm]	625
Outputs	
Electrical design	PNP
Output function	complementary
Max. voltage drop switching output DC [V]	2.5
Permanent current rating of switching output DC [mA]	200
Switching frequency DC [Hz]	1000
Short-circuit protection	yes
Type of short-circuit protection	yes (non-latching)
Overload protection	yes

OG5130



Diffuse reflection sensors with background suppression

OGH-CPKG/US/90°/70MM

Monitoring range		
Range [mm]	< 70; (white paper 200 x 200 mm 90 % remission)	
Range adjustable	no	
Max. light spot diameter [mm]	16	
Light spot dimensions refer to	at maximum range	
Background suppression available	yes	
Operating conditions		
Ambient temperature [°C]	-25...60	
Protection	IP 68	
Tests / approvals		
EMC	EN 60947-5-2	
	EN 55011	class B
MTTF [years]	492	
Mechanical data		
Weight [g]	51.2	
Housing	Threaded type	
Dimensions [mm]	M18 x 1 / L = 65	
Thread designation	M18 x 1	
Material	stainless steel; ABS	
Lens material	PMMA	
Displays / operating elements		
Display	Switching status	1 x LED, yellow
	Power	1 x LED, green
Accessories		
Items supplied	Nuts: 2	
	lock washers: 2	
Remarks		
Pack quantity	1 pcs.	
Electrical connection		
Connector: 1 x M12; coding: A		
		

OG5130



Diffuse reflection sensors with background suppression

OGH-CPKG/US/90°/70MM

Connection

