

ELESA Original design DD52R

2 Installation (front view)

- AN** Counter above on the chamfer
- AR** Counter below on the chamfer
- FN** Counter above in front
- FR** Counter below in front

3 Type

- R** Numbers ascending clockwise
- L** Numbers ascending anti-clockwise



1 Counter

Counter	Indication after one spindle revolution	corresponds to thread pitch	max. revolutions per minute
000.50	00050	0,5	500
001.00	00100	1	250
0001.0	00010	1	1500
0002.0	00020	2	1250
0002.5	00025	2,5	1000
0003.0	00030	3	830
0004.0 *	00040	4	625
0005.0	00050	5	500
0006.0	00060	6	415
0010.0	00100	10	250

* usable for linear actuators type GN 291 Ø 40 and Ø 50

Specification

- Housing
Plastic (Polyamide PA)
- orange, RAL 2004
- gray, RAL 7035
- temperature resistant up to 80 °C
- oil and solvent resistant



- Numbers white, number wheels for integers black, for decimal numbers red with additionally scale

- Hollow shaft, steel, blackened
- ISO-Fundamental tolerances → Page 1479
- Stainless Steel characteristics → Page 1489
- RoHS

On request

- with Stainless Steel-Hollow shaft
- other counters

4 Information

Information

Position indicators GN 953 have a direct coupled drive with digital indication.

The two body parts are ultra-sonically welded, thus the housing is particularly sturdy and compact.

The foam rubber seal prevents the transmission of vibration to the counter mechanism and also has sealing properties.

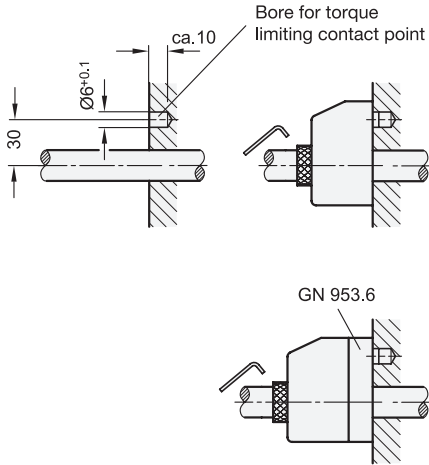
The numbers are easily legible and they are even enlarged by the magnifying effect of the sight glass.

see also...

- More information to position indicators → Page 294
- Adapter bushings GN 952.1 (for position indicators) → Page 306
- Control knobs GN 957 (for position indicators) → Page 307
- Clamping plates GN 953.6 (for position indicators) → Page 308

How to order	1 Counter
	2 Installation (front view)
	3 Type
	4 Color

GN 953-0005.0-AN-R-GR



Installation instructions

Before installation of the position indicator a bore for the torque limiting contact point is to be placed (see left).

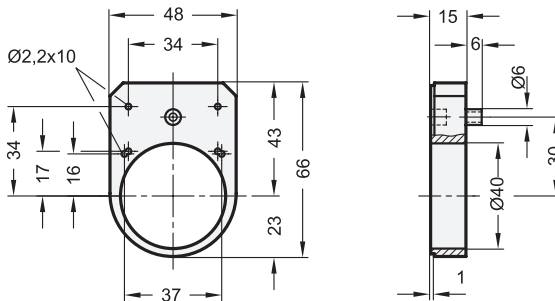
With the **adapter bushings GN 952.1** → Page 306, the hollow shaft (with Bore 20 H7) of the position indicator can be adapted to fit the spindle.

The mounting of the position indicator is via the torque limiting contact point which is connected to the hollow spindle and secured with a grub screw.

Before completing the installation, turn the spindle to the starting point (0) position and zero the position indicator.

With **clamping plates GN 953.6** → Page 308, spindles can be clamped and secured after adjusting.

GN 953.1 | Spacer plate



ELESA Original design BS52R

Specification

- Plastic (Polyamide PA)
black, matte
- RoHS



Information

The previous position indicators GN 952 are replaced by position indicators GN 953, they are dimensionally reduced compared to GN 952.

The spacer plate GN 953.1 is used as adapter in case the dimensions on the machine body are applied to match the previous model GN 952.

The bore holes Ø 2,2 are used for the machine-side fastening with e.g. socket button head self-tapping screws in accordance with DIN ISO 7049.

How to order
GN 953.1