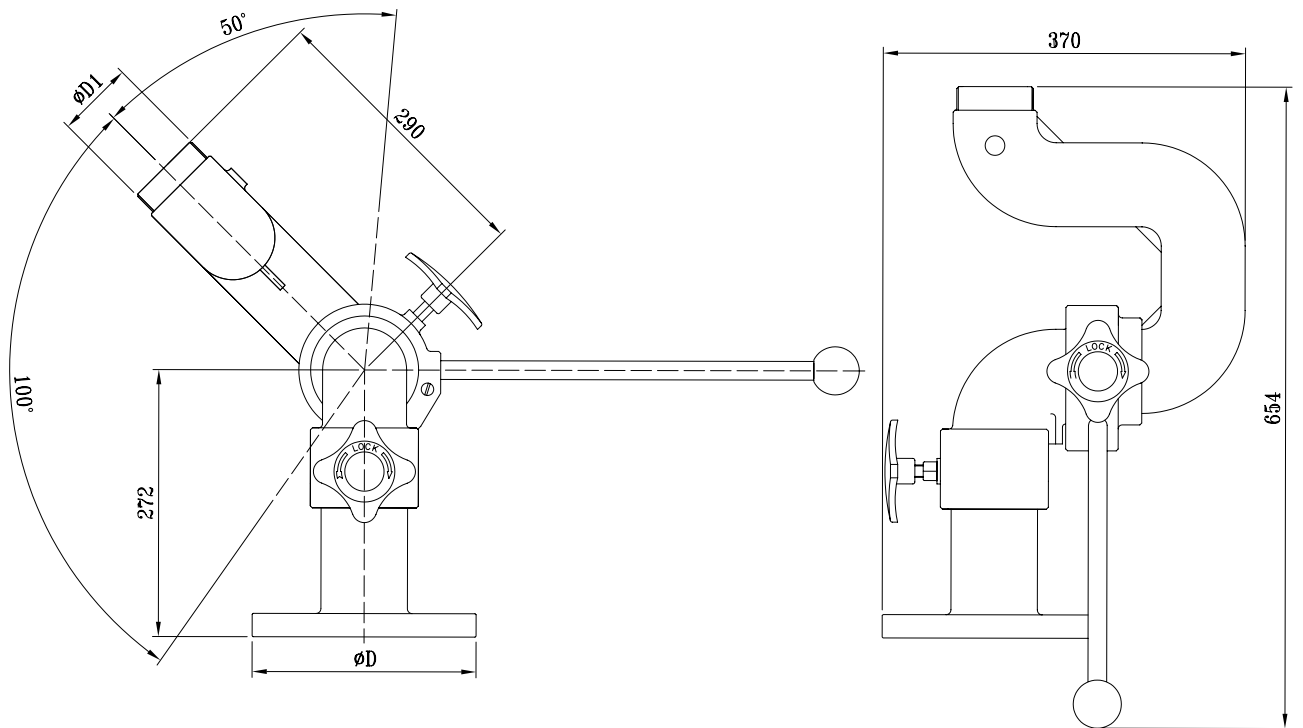




## Style #649 Monitor

- Corrosion resistant bronze construction Ideal for marine, offshore, industrial or other corrosive environment
- Full 3" waterway
- Cast-in turning vanes for efficient flow
- Flow Up to 1,250 GPM (4,800 LPM)
- 360 degrees horizontal and 150 degrees vertical travel 90 degree above to 60 degree below horizontal
- Positive friction locks on both horizontal and vertical travel to hold the desired position
- Stainless steel lever
- Operating pressure of 200 PSI (14 bar)



STYLE	HEIGHT	WIDTH	INLET	OUTLET	WEIGHT LBS	FLOW
						GPM
649	17"	14"	3" or 4" FL	2.5"	46	1,250