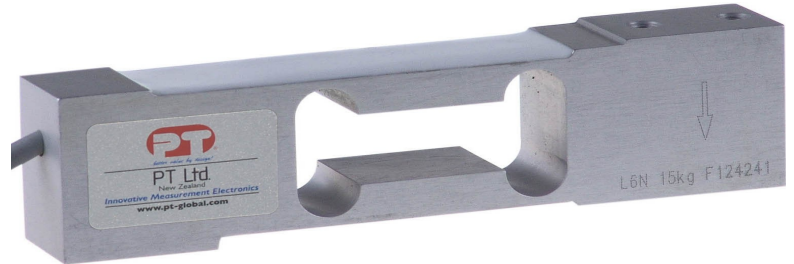


# PTASP6-N

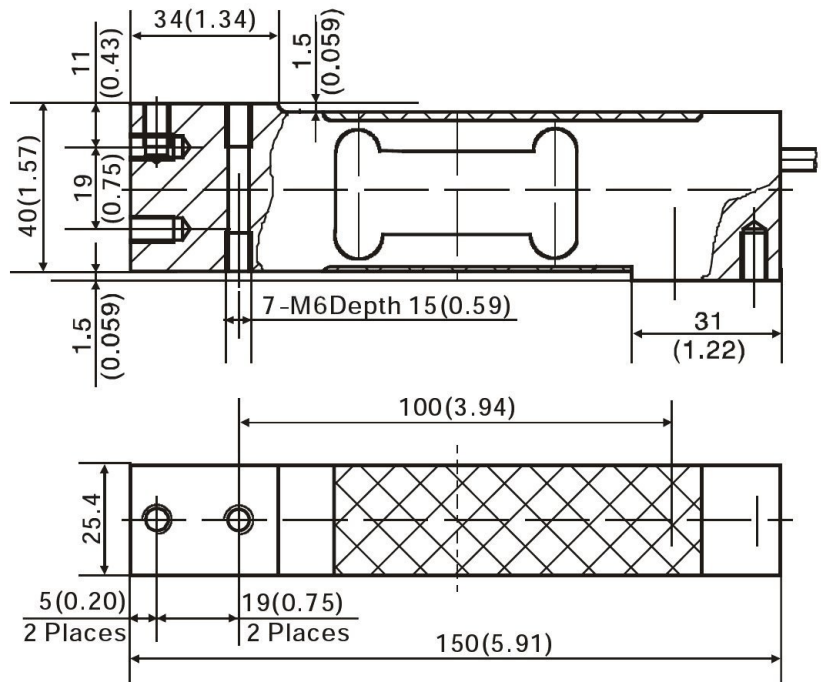
## ALUMINIUM SINGLE POINT

- Fully sealed
- C3 accuracy class
- Anodised for protection
- For platform and retail scales
- Suits 400mm x 400mm platform



### Models

Capacity	Order	Weight (kg)
3kg	SPM0003A06NXXX	0.35
5kg	SPM0005A06NXXX	0.35
8kg	SPM0008A06NXXX	0.35
10kg	SPM0010A06NXXX	0.35
15kg	SPM0015A06NXXX	0.35
20kg	SPM0020A06NXXX	0.35
30kg	SPM0030A06NXXX	0.35
50kg	SPM0050A06NXXX	0.4
75kg	SPM0075A06NXXX	0.4
100kg	SPM0100A06NXXX	0.4



NOTE: dimensions are in mm.

### Specifications

Signal Output at Capacity.....	<2±0.2 mV/V	Service Load.....	100% Capacity
Linearity Error.....	< 0.017% FSO	Safe Load.....	150% Capacity
Non-Repeatability.....	< 0.010% FSO	Ultimate Load.....	300% Capacity
Combined Error.....	< 0.020% FSO	Input Resistance.....	409Ω ± 6Ω
Off Centre Load Error.....	< 0.020% FSO	Output Resistance.....	350Ω ± 6Ω
Creep/(30 mins.).....	< 0.020% FSO	Insulation Resistance.....	> 5000 MΩ (@50 VDC)
Zero Balance.....	< 2.0% Capacity	Excitation Voltage(Rec).....	5~12V AC/DC
Temperature Effect on Span(/10C).....	< 0.014% FSO	Excitation Voltage(Max.).....	18V AC/DC
Temperature Effect on Zero(/10C).....	< 0.017% FSO	Cable.....	3m long, 5.0 mm
Operating Temperature Range.....	<-35 ~ +65 C		6 core screened PVC
Compensated Temperature Range.....	<-10 ~ +40 C	Material.....	Aluminium Alloy
Storage Temperature Range.....	<-50 ~ 85 C	Sealing.....	IP65

### Wiring Connections

Excitation +ve.....	Red	Sense +ve.....	Blue	Signal +ve.....	Green
Excitation -ve.....	Black	Sense -ve.....	Brown	Signal -ve.....	White

R81030