

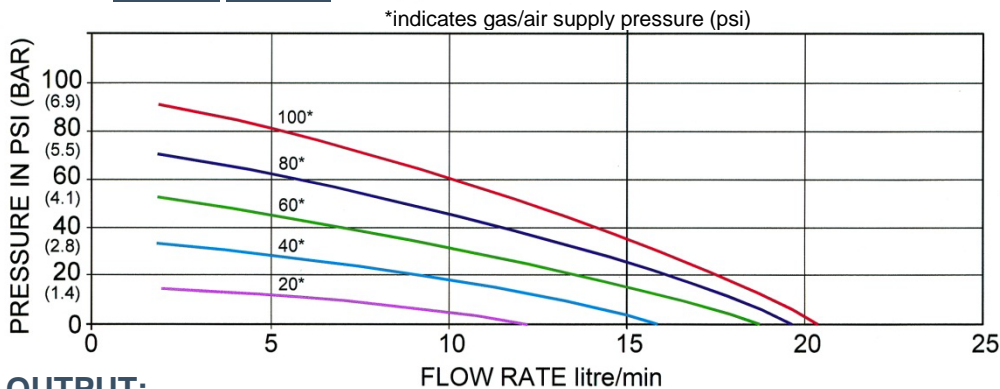
FLOJET®

G57 SERIES

Air Operated Diaphragm Pump



Working position



OUTPUT:

Self primes up to 4.5m
Flow rates up to 21 litres/minute (4.6 gallons/minute).

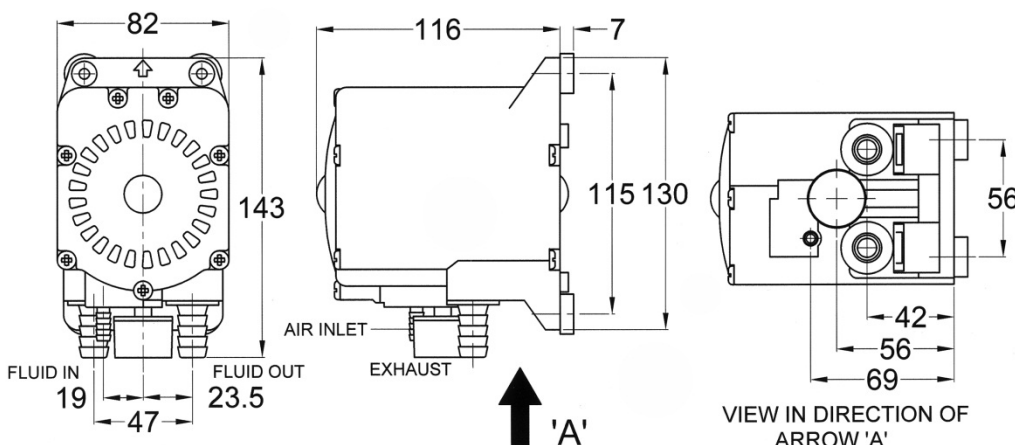
MATERIALS OF CONSTRUCTION:

Pump head: Glass-filled Polypropylene

MODEL	DIAPHRAGM & VALVES	VALVE SPRINGS	'O' RINGS	LIQUID PORTS
G573215A	Viton®	Hastelloy	Viton®	13mm (½") Straight hose barb
G573235A	Viton®	Hastelloy	Viton®	9 -13mm (⅜ – ½") 90° hose barb
G575005A	Santoprene®	Hastelloy	EPDM	Ports not fitted
G575205A	Santoprene®	Hastelloy	EPDM	9mm (⅜) Straight hose barb
G575215A	Santoprene®	Hastelloy	EPDM	13mm (½") Straight hose barb
G575235A	Santoprene®	Hastelloy	EPDM	9 -13mm (⅜ – ½") 90° hose barb

Air/gas inlet port: 6mm (¼" hose)

WEIGHT: 0.54 Kg



WARNING

**DO NOT PUMP
GASOLINE OR
FLAMMABLE LIQUIDS OR
USE WHERE FLAMMABLE
VAPOURS ARE PRESENT**

Xylem Water Solutions UK Ltd
Bingley Road
Hoddesdon
Hertfordshire • EN11 0BU • UK

Telephone: +44 (0)1462 480380
Fax: +44 (0)1462 482422
mail@cleghorn.co.uk
www.jabscoshop.com

xylem
Let's Solve Water