



Temperature Probe TFP 100

Description:

The temperature probe TFP 100 was developed mainly for tank mounting. The PT 100 precision resistor in 4-conductor design can be connected directly to HYDAC temperature switches ETS 3800, ETS 380 and ETS 1700 using the connector supplied.

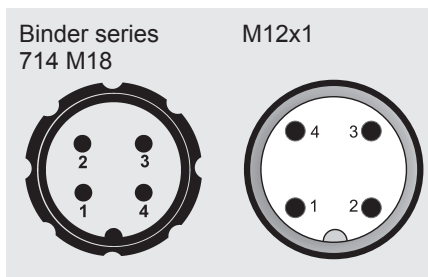
The standardised electrical connection also means that other evaluation or control systems (e.g. PLC) can easily be connected.

For adaptation to different applications and fluids, a nickel-plated brass mounting sleeve which is pressure resistant up to 10 bar is also available as an accessory.

Special features:

- Measurement circuit configured as four-conductor circuit
- Simple to install
- For universal application

Pin connections:



Pin	Binder series 714 M18	M12x1
1	+ Supply	+ Supply
2	+ Signal	+ Signal
3	- Signal	- Signal
4	- Supply	- Supply

Technical specifications:

Temperature probe TFP 100	
Temperature range	-40 .. +125 °C (-40 .. +257 °F)
Electrical connection	Male Binder series 714 M18, 4 pole Male M12x1, 4 pole
Parts in contact with fluid	Brass
CE mark	EN 61000-6-1 / 2 / 3 / 4
Supply voltage	9 .. 35 V DC
Protective sleeve for tank-mounting the TFP 100 (Accessory, not supplied as standard)	
Pressure resistance	10 bar
Parts in contact with fluid	CuZn39Pb3 (brass), nickel-plated

Model code:

TFP 10 X - 000

Separate temperature probe _____

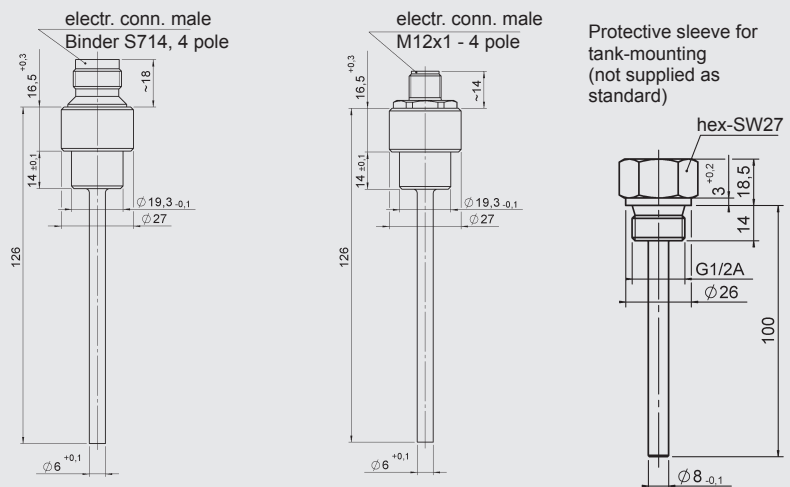
Electrical connection _____

4 = 4 pole Binder series 714 M18, male (connector supplied)
6 = 4 pole M12x1, male (connector not supplied)

Modification number _____

000 = Standard

Dimensions:



Note:

The information in this brochure relates to the operating conditions and applications described. For applications and operating conditions not described, please contact the relevant technical department. Subject to technical modifications.

HYDAC ELECTRONIC GMBH
Hauptstraße 27, D-66128 Saarbrücken
Tel. +49 (0)6897 509-01
Fax +49 (0)6897 509-1726
E-Mail: electronic@hydac.com
Internet: www.hydac.com