

GN 810.1

Steel / Stainless Steel

Vertical acting toggle clamps

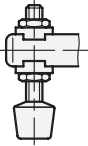
with vertical mounting base



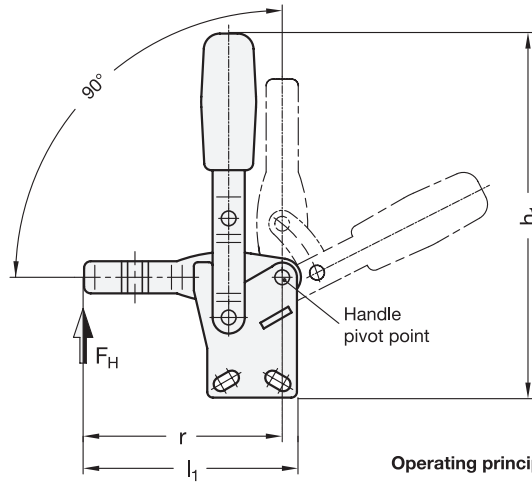
Type B



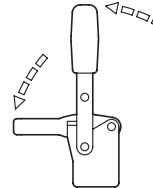
Type BC



Type F



Operating principle



ROSTFREI
Inox
Stainless
Steel

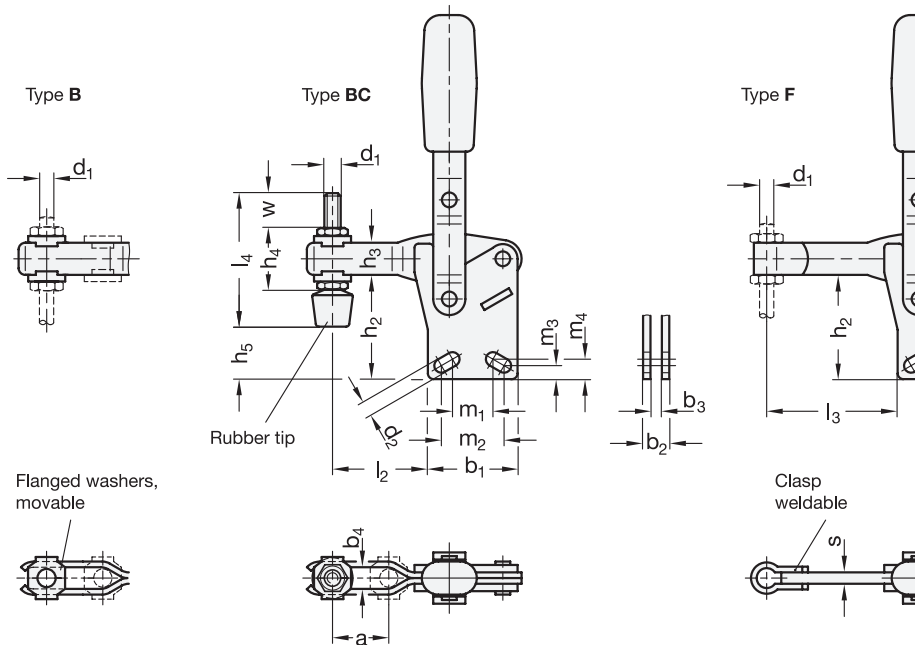
2 Type

- B** U-bar version, with two flanged washers
- BC** U-bar version, with two flanged washers and GN 708.1 Spindle Assembly
- F** Solid bar version, with clasp

1

Size	Steel	Stainless Steel	F _H in N Holding Capacity	a ≈	b ₁	b ₂	b ₃	b ₄	d ₁	d ₂ ≈	h ₁ ≈	h ₂	h ₃	h ₄	h ₅ max.
75	75	75	750	20	29	8	4	5,2	M 5	4,5	109	32	11	19	17
130	130	130	1050	28	35	10	5	6,2	M 6	5,5	156	41,5	16	25,5	25
230	230	230	2000	40	43	12	6	8,5	M 8	6,5	183	48	18	30	24
330	-	-	2400	43	50	14	7	10,5	M 10	8,5	218	66	22	37	39,5
430	-	-	2800	64	58	18	10	12,5	M 12	8,5	268	77,5	26	43	45
530	-	-	4500	90	77	18	10	12,5	M 12	12,5	337	117,5	32	49	85

Size	Steel	Stainless Steel	l ₁ ≈ Type B Type BC	Type E	l ₂ ≈	l ₃ max.	l ₄	m ₁	m ₂	m ₃	m ₄	r ≈	s	w Adjustable Range
75	75	75	66,5	67	31,5	41	45	15	16	5	5	62,5	4	15
130	130	130	85	86	42	54	55	12,5	19	6,5	7,5	79	5	17,5
230	230	230	110,5	112	58	73	68	19	20	6,5	6,5	104	6	20
330	-	-	129	130,5	66	86	77	28,7	32,3	10	9,5	122	7	19
430	-	-	164	166	88	114	100	32	32	10	10	156	10	33
530	-	-	223	225	128	155	100	50	51	12,5	12,5	212	10	27



Specification

- Steel
 - Case-hardened Steel C 10 zinc plated, blue passivated
 - Bearing pins tempered
 - Bearing rivets (for size 230 and up) case-hardened
- Stainless Steel **NI**
AISI 304
- All moving parts lubricated with special grease
- Hand grip
High quality, oil resistant red plastic
- Spindle assembly GN 708.1 (Type A)
 - Steel, zinc plated / Stainless Steel, AISI 304
 - Rubber tip 85 Shore A
- RoHS compliant

Accessory

- Spindle assemblies → Page 765 ff.
- GN 801 Clamp mounts for toggle clamps (for Type A) → Page 771
- GN 809 Clamp mounts for toggle clamps (for Type E) → Page 770

Information

GN 810.1 vertical acting toggle clamps work according to the toggle principle: lever and clamping bar move in the same direction. In the clamped position the operating lever is in its vertical position.

Vertical acting toggle clamps in the U-bar version with two flanged washers (Type B) can accommodate an application specific clamping screw. A spindle assembly with neoprene rubber tip is also included for Type BC.

Type F version can either be utilized by welding the clasp which can then accommodate an application specific hold-down fastener component, or by utilizing the bar in conjunction with the GN 809 Clamp Mounts to hold the work piece in place.

see also...

- General information for toggle clamps → Page 676
- Vertical clamps, heavy duty type GN 910 → Page 688
- Vertical clamps GN 810 (with horizontal base) → Page 680

How to order (Steel)

GN810.1-430-B

- | | |
|---|------|
| 1 | Size |
| 2 | Type |

How to order (Stainless Steel)

GN810.1-75-F-NI

- | | |
|---|----------|
| 1 | Size |
| 2 | Type |
| 3 | Material |