

SH. 1
OF 1

CAT NO

491ME-300

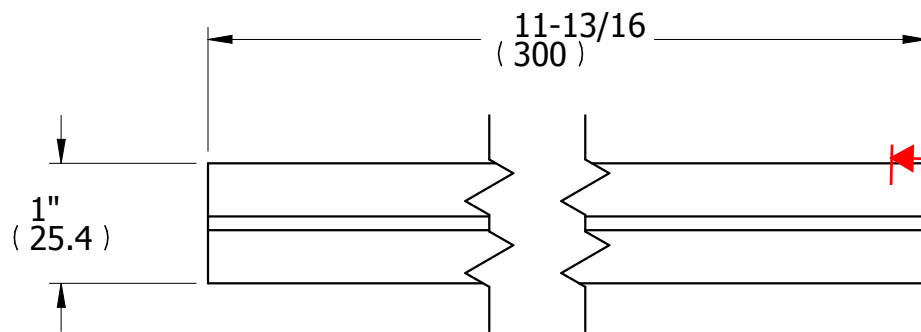
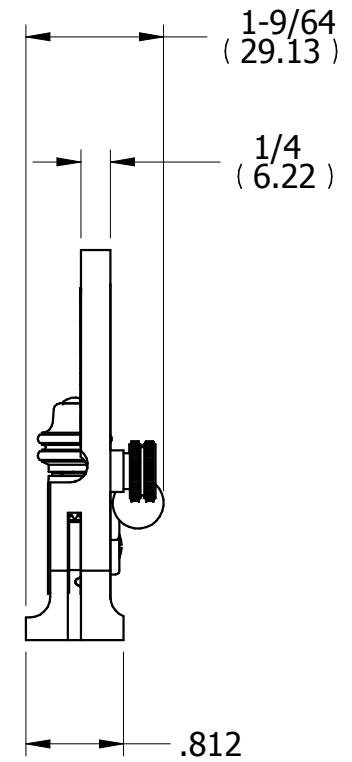
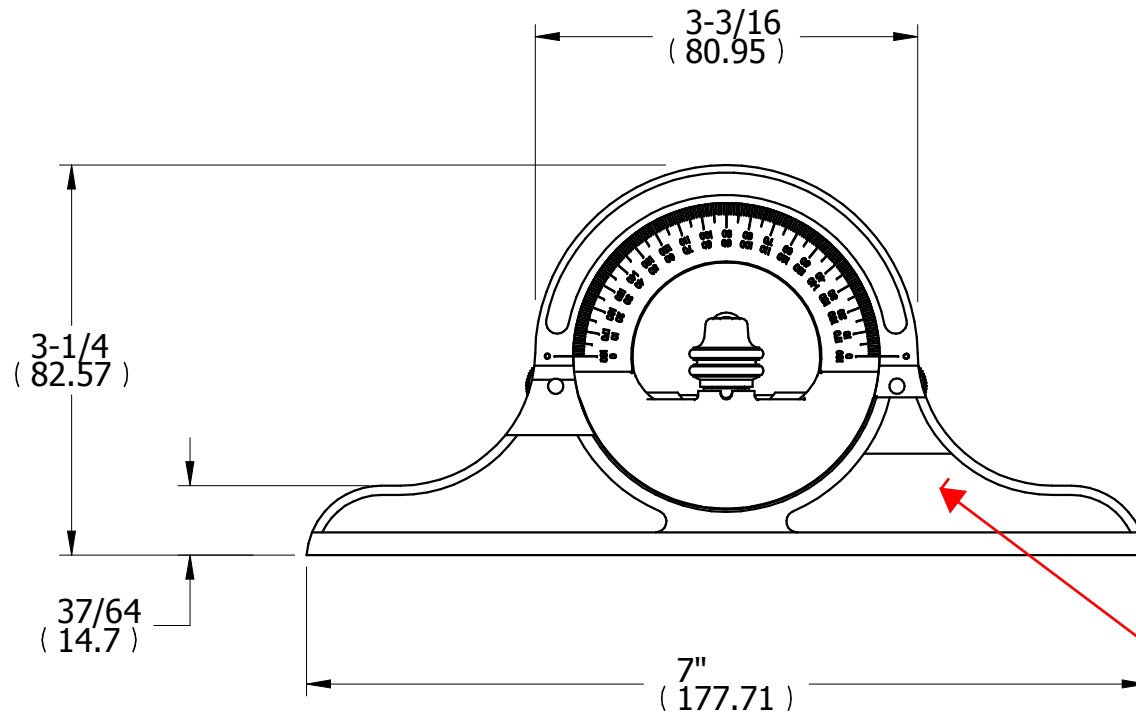
CUSTOMER DIMENSIONS

DO NOT
SEPARATE
PRINT FROM
WORK

LOT NO

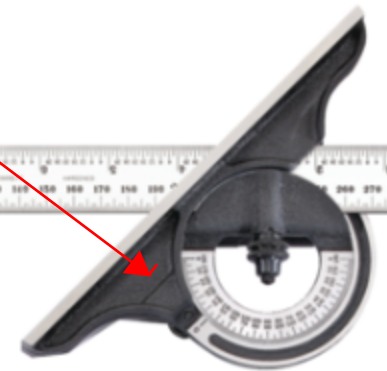
OPER

TOOLS



2.48 m

5.76 m



PROTRACTOR

FRACTIONAL TOLERANCE +- 1/64 UNLESS OTHERWISE NOTED

THE L.S. STARRETT CO.
ATHOL, MASS.