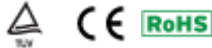


Dia.143x50mm / 6inch , 210~115 CFM

SK162

General specification



- Motor: Shaded pole induction, 1-phase
- Motor Case: Aluminum die-cast, black color cosmetics
- Impeller: Glass fiber reinforced PBT thermoplastic impeller, UL94V-0
- Rotation: CW seen on rotor
- Bearing System: Two precision double sealed ball bearings
- Operating Temp: Ambient non-condensing -30~+70C
- L10 Life: 50K hours at 35C, 40K hours at 65C
- Dielectric Strength: Over 1 min. at 1,500 VAC, 0.5mA, 50/60 Hz
- Connection: Wire lead
- Net Weight: 910Gm(2.0Lb)

***Nomenclature**

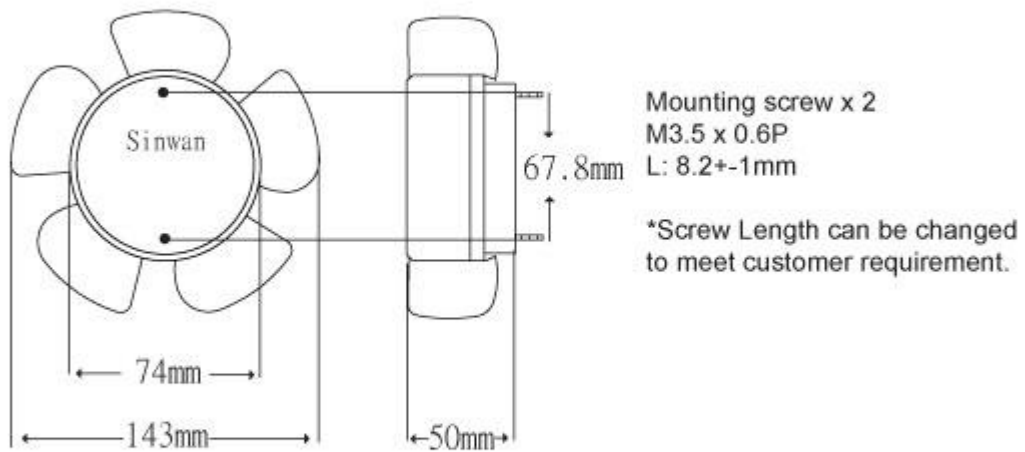
Model	Rated Voltage	Voltage Range	Freq.	Input Power	Rated Current	Referenced Speed	Max Airflow	Max Pressure	Noise
	VAC	VAC	Hz	W	A	RPM	CFM	Inch/H2O	dB
SK162AP-11-1	115	100~120	50/60	30/26	0.54/0.53	2500/2800	183/210	0.47/0.43	47
SK162AP-11-2	115	100~120	50/60	24/20	-	2250/2400	165/180	0.40/0.36	40
SK162AP-11-3	115	100~120	50/60	18/16	-	1600/1550	120/115	0.31/0.26	31
SK162AP-22-1	230	200~240	50/60	30/26	0.27/0.26	2500/2800	183/210	0.47/0.43	47
SK162AP-22-2	230	200~240	50/60	24/20	--	2250/2400	165/180	0.40/0.36	40
SK162AP-22-3	230	200~240	50/60	18/16	-	1600/1550	120/115	0.31/0.26	31

**=WB for wire leads power connecting type

Fan Performance Curve and Dimension

Dia.143x50mm / 6inch

▶ Outline Dimensions



* Sinwan reserves the right to change data and specs without notice* Tests are at nominal voltage against zero static pressure* Specification subject to change without notice, data tolerance +-10%