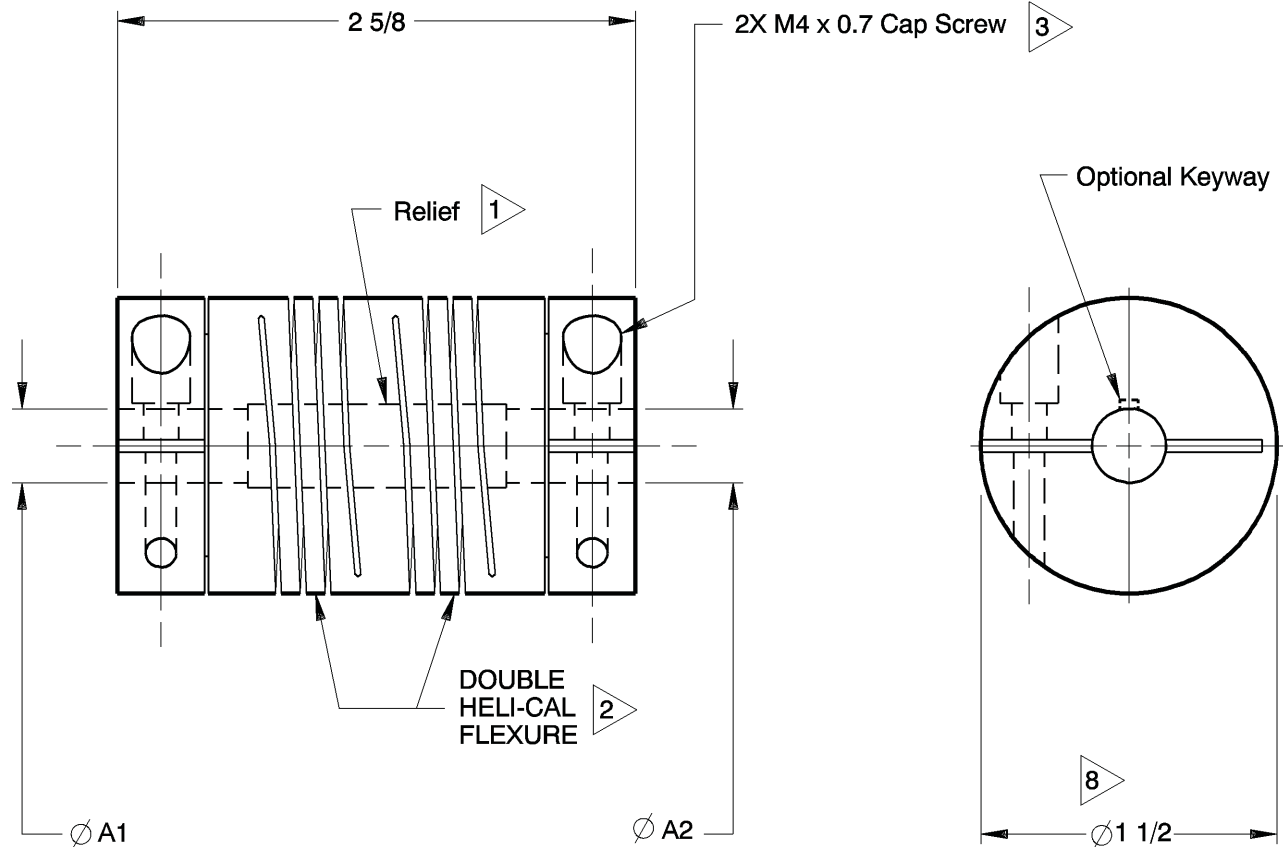


NOTES: See Tabulated Sheet

- 1 Relief permits component shafts to near butt.
- 2 Hubs and HELI-CAL FLEXURE are made from a single piece of material.
- 3 Integral Clamp attachment, hex. socket, ISO std., cap screw furnished: both hubs.
- 4 Backlash: None. No lubrication required.
- 5 Permitted axial motion in free length: $\pm .010$ in
- 6 Working torque ratings are based upon continuous duty with noted misalignments applied separately and may be increased with improved alignment:
- See Tabulated Sheet
- 7 Permissible shaft misalignment:
Angular, up to 5 degrees.
Offset, up to .030in (TIR, .060in)
- 8 Part will have a 1.681in Clearance Diameter on both ends when any bore is over .798in thru .989in.



MCACM150-12-12 SHOWN

NOTICE: THE INFORMATION AND DATA CONTAINED HEREIN IS CONSIDERED PROPRIETARY TO HELICAL PRODUCTS COMPANY, INC., AND SHALL REMAIN THE EXCLUSIVE PROPERTY OF HELICAL. THE HOLDER WILL ASSUME CUSTODY AND CONTROL THAT THIS DOCUMENT WILL NOT BE COPIED, REPRODUCED OR DISCLOSED WITHOUT THE EXPRESS WRITTEN CONSENT OF HELICAL. POSSESSION OF THIS DOCUMENT DOES NOT CONSTITUTE A GRANT TO MANUFACTURE ANY ITEMS.

DO NOT SCALE DRAWING.

12-18-09	---	Finish was Chromic Acid Anodize; Updated GD&T	HG	JAJ	Unless otherwise noted dimensions in inches. Inch Fractions: $\pm 1/64$ Decimals: .XX $\pm .010$.XXX $\pm .005$.XXX $\pm .0010$ Metric Decimals: X ± 0.5 mm X.X ± 0.25 mm X.XX ± 0.15 mm Angles: ± 2 degrees Break sharp corners .010 max.	APPROVALS	DATE	<p>HELICAL PRODUCTS CO., INC. P.O. BOX 1069 SANTA MARIA, CA. 93456 U.S.A PHONE (805) 928-3851 FSC13201</p>			
						DRAWN	MC 10-29-80				
CHECKED	MC 10-29-80										
PRODN	APA 10-29-80	TITLE	HELICAL FLEXIBLE SHAFT COUPLING								
ISSUED		MATERIAL	7075-T6 Aluminum Alloy								
10-13-98		Clerical format update/ No revision	BJM			WEIGHT	180g (calc)	FINISH	Anodize per HPS1000		
DATE	LTR	REVISION	CHK			SCALE	1/1	SIZE	A	DWG NO	MCACM150

ADDITION DATE	PART NUMBER	BORE TOLERANCES		TORQUES (lbin)			TORSIONAL FLEXIBILITY deg/lbin	MASS MOMENT OF INERTIA	COMMENTS	A1	A2	
		+0.002in -0.000in	or	+0.05mm -0.00mm	Non-reversing	Shock or Reversing						Momentary
09 Jan 08	MCACM150-8mm-6	8.00mm		.188in	60	30	120					
09 Mar 88	MCACM150-8mm-6mm	8.00mm		6.00mm	60	30	120					
	MCACM150-8mm-8mm	8.00mm		8.00mm	60	30	120					

*** NOTE: Bores greater than .512in Dia: bore depth is .655in**

NOTICE: THE INFORMATION AND DATA CONTAINED HEREIN IS CONSIDERED PROPRIETARY TO HELICAL PRODUCTS COMPANY, INC., AND SHALL REMAIN THE EXCLUSIVE PROPERTY OF HELICAL. THE HOLDER WILL ASSUME CUSTODY AND CONTROL THAT THIS DOCUMENT WILL NOT BE COPIED, REPRODUCED OR DISCLOSED WITHOUT THE EXPRESS WRITTEN CONSENT OF HELICAL. POSSESSION OF THIS DOCUMENT DOES NOT CONSTITUTE A GRANT TO MANUFACTURE ANY ITEMS.

ADDITIONAL BORE SIZES AVAILABLE UPON REQUEST

APPROVALS	DATE	HELICAL PRODUCTS CO. INC P.O. BOX 1069 SANTA MARIA, CA. 93456 U.S.A PHONE (805) 928-3851 FSCI3201
DRAWN		
CHECKED		TITLE HELICAL FLEXIBLE SHAFT COUPLING
PRODN		TABULATED BORE SIZES
ISSUED	4/4/2012 10:14:40 AM	DWG NO MCACM150

Printed 4/4/2012 10:16:47 AM by Larryvg

ADDITION DATE	PART NUMBER	BORE TOLERANCES		TORQUES (lbin)			TORSIONAL FLEXIBILITY	MASS MOMENT OF INERTIA	COMMENTS	A1	A2	
		+.002in -.000in	or +.05mm -.00mm	Non-reversing	Shock or Reversing	Momentary						deg/lbin
26 Sep 11	MCACM150-9mm-8mm	9.00mm	8.00mm	56	28	112						
09 Mar 88	MCACM150-9mm-9mm	9.00mm	9.00mm	56	28	112						
20 Nov 03	MCACM150-9.5mm-6mm	9.50mm	6.00mm	55	27	110						
09 Mar 88	MCACM150-9.5mmQ3-9.5mmQ3	9.50mm	9.50mm	55	27	110		Keyway Width:	3.00/3.05mm	3.00/3.05mm		
09 Mar 88	MCACM150-9.5mm-9.5mm	9.50mm	9.50mm	55	27	110						
09 Mar 88	MCACM150-12-12	.375in	.375in	55	27	110						
20 Nov 03	MCACM150-10mm-6mm	10.00mm	6.00mm	53	26	106						
	MCACM150-10mm-8mm	10.00mm	8.00mm	53	26	106						
	MCACM150-10mm-9.5mm	10.00mm	9.50mm	53	26	106						
09 Mar 88	MCACM150-10mm-12	10.00mm	.375in	53	26	106						
09 Mar 88	MCACM150-10mm-10mm	10.00mm	10.00mm	53	26	106						
09 Mar 88	MCACM150-10.47mm-12	10.47mm	.375in	53	26	106						
07 Feb 90	MCACM150-11mm-12	11.00mm	.375in	50	25	100						
	MCACM150-11mm-10mm	11.00mm	10.00mm	50	25	100						
04 Nov 88	MCACM150-11mm-11mm	11.00mm	11.00mm	50	25	100						
	MCACM150-12mm-8mm	12.00mm	8.00mm	45	22	90						
09 Mar 88	MCACM150-12mm-12	12.00mm	.375in	45	22	90						
09 Mar 88	MCACM150-12mm-10mm	12.00mm	10.00mm	45	22	90						
	MCACM150-12mm-10.5mm	12.00mm	10.50mm	45	22	90						
11 May 90	MCACM150-12mm-11mm	12.00mm	11.00mm	45	22	90						
	MCACM150-12mmQ4-12mmQ4	12.00mm	12.00mm	45	22	90		Keyway Width:	4.00/4.05mm	4.00/4.05mm		
09 Mar 88	MCACM150-12mm-12mm	12.00mm	12.00mm	45	22	90						
09 Mar 88	MCACM150-16-12	.500in	.375in	44	22	88						
16 Feb 00	MCACM150-16-11mm	.500in	11.00mm	44	22	88						
09 Mar 88	MCACM150-16-16	.500in	.500in	44	22	88						
	MCACM150-14mm-8mm	*14.00mm	8.00mm	44	22	88						
26 Jul 88	MCACM150-14mm-12	*14.00mm	.375in	44	22	88						
	MCACM150-14mm-10mm	*14.00mm	10.00mm	44	22	88						
09 Mar 88	MCACM150-14mm-11mm	*14.00mm	11.00mm	44	22	88						
	MCACM150-14mm-12mm	*14.00mm	12.00mm	44	22	88						
	MCACM150-14mmQ5-14mmQ5	*14.00mm	*14.00mm	44	22	88		Keyway Width:	5.00/5.05mm	5.00/5.05mm		

* NOTE: Bores greater than .512in Dia: bore depth is .655in

NOTICE: THE INFORMATION AND DATA CONTAINED HEREIN IS CONSIDERED PROPRIETARY TO HELICAL PRODUCTS COMPANY, INC., AND SHALL REMAIN THE EXCLUSIVE PROPERTY OF HELICAL. THE HOLDER WILL ASSUME CUSTODY AND CONTROL THAT THIS DOCUMENT WILL NOT BE COPIED, REPRODUCED OR DISCLOSED WITHOUT THE EXPRESS WRITTEN CONSENT OF HELICAL. POSSESSION OF THIS DOCUMENT DOES NOT CONSTITUTE A GRANT TO MANUFACTURE ANY ITEMS.

ADDITIONAL BORE SIZES AVAILABLE UPON REQUEST

APPROVALS	DATE
DRAWN	
CHECKED	
PRODN	
ISSUED	4/4/2012 10:14:40 AM

HELICAL PRODUCTS CO. INC
 P.O. BOX 1069 SANTA MARIA, CA. 93456 U.S.A
 PHONE (805) 928-3851 FSCI3201

TITLE **HELICAL FLEXIBLE SHAFT COUPLING**

TABULATED BORE SIZES

DWG NO **MCACM150**

Printed 4/4/2012 10:16:47 AM by Larry Yg

ADDITION DATE	PART NUMBER	BORE TOLERANCES		TORQUES (lbin)			TORSIONAL FLEXIBILITY	MASS MOMENT OF INERTIA	COMMENTS	A1	A2	
		+.002in -.000in	or +.05mm -.00mm	Non-reversing	Shock or Reversing	Momentary						deg/lbin
09 Mar 88	MCACM150-14mm-14mm	*14.00mm	*14.00mm	44	22	88						
	MCACM150-15mm-8mm	*15.00mm	8.00mm	44	22	88						
	MCACM150-15mm-12	*15.00mm	.375in	44	22	88						
	MCACM150-15mm-10mm	*15.00mm	10.00mm	44	22	88						
	MCACM150-15mm-11mm	*15.00mm	11.00mm	44	22	88						
09 Apr 03	MCACM150-15mm-12mm	*15.00mm	12.00mm	44	22	88						
	MCACM150-15mmQ5-16K3	*15.00mm	.500in	44	22	88			Keyway Width:	5.00/5.05mm.125/.127in		
	MCACM150-15mmQ5-15mmQ5	*15.00mm	*15.00mm	44	22	88			Keyway Width:	5.00/5.05mm5.00/5.05mm		
09 Mar 88	MCACM150-15mm-15mm	*15.00mm	*15.00mm	44	22	88						
	MCACM150-20-10mm	*.625in	10.00mm	44	22	88						
	MCACM150-20-12mm	*.625in	12.00mm	44	22	88						
	MCACM150-20-17	*.625in	*.532in	44	22	88						
	MCACM150-16mm-10mm	*16.00mm	10.00mm	44	22	88						
09 Mar 88	MCACM150-16mm-12mm	*16.00mm	12.00mm	44	22	88						
	MCACM150-16mm-16	*16.00mm	.500in	44	22	88						
	MCACM150-16mm-14mm	*16.00mm	*14.00mm	44	22	88						
	MCACM150-16mm-15mm	*16.00mm	*15.00mm	44	22	88						
	MCACM150-16mmQ5-16mmQ5	*16.00mm	*16.00mm	44	22	88			Keyway Width:	5.00/5.05mm5.00/5.05mm		
26 Jul 88	MCACM150-16mm-16mm	*16.00mm	*16.00mm	44	22	88						
	MCACM150-17mm-17mm	*17.00mm	*17.00mm	44	22	88						
09 Mar 88	MCACM150-18mm-12mm	*18.00mm	12.00mm	44	22	88						
07 Jan 09	MCACM150-18mm-18mm	*18.00mm	*18.00mm	44	22	88						
21 Jun 11	MCACM150-18.5mm-10mm	*18.50mm	10.00mm	44	22	88						
30 Sep 10	MCACM150-18.5mm-11mm	*18.50mm	11.00mm	44	22	88						
	MCACM150-19mm-8mm	*19.00mm	8.00mm	44	22	88						
07 Apr 04	MCACM150-19mmQ6-12K1	*19.00mm	.375in	44	22	88			Keyway Width:	6.00/6.05mm.094/.096in		
21 Jun 01	MCACM150-19mm-10mm	*19.00mm	10.00mm	44	22	88						
	MCACM150-19mm-11mm	*19.00mm	11.00mm	44	22	88						
13 Oct 00	MCACM150-19mm-12mm	*19.00mm	12.00mm	44	22	88						
28 Mar 07	MCACM150-19mm-13mm	*19.00mm	13.00mm	44	22	88						
01 Sep 04	MCACM150-19mm-14mmQ5	*19.00mm	*14.00mm	44	22	88			Keyway Width:	5.00/5.05mm		

* NOTE: Bores greater than .512in Dia: bore depth is .655in

NOTICE: THE INFORMATION AND DATA CONTAINED HEREIN IS CONSIDERED PROPRIETARY TO HELICAL PRODUCTS COMPANY, INC., AND SHALL REMAIN THE EXCLUSIVE PROPERTY OF HELICAL. THE HOLDER WILL ASSUME CUSTODY AND CONTROL THAT THIS DOCUMENT WILL NOT BE COPIED, REPRODUCED OR DISCLOSED WITHOUT THE EXPRESS WRITTEN CONSENT OF HELICAL. POSSESSION OF THIS DOCUMENT DOES NOT CONSTITUTE A GRANT TO MANUFACTURE ANY ITEMS.

ADDITIONAL BORE SIZES AVAILABLE UPON REQUEST

APPROVALS	DATE
DRAWN	
CHECKED	
PRODN	
ISSUED	4/4/2012 10:14:40 AM

HELICAL PRODUCTS CO. INC
 P.O. BOX 1069 SANTA MARIA, CA. 93456 U.S.A
 PHONE (805) 928-3851/FSCI3201

TITLE **HELICAL FLEXIBLE SHAFT COUPLING**

TABULATED BORE SIZES

DWG NO **MCACM150**

Printed 4/4/2012 10:16:47 AM by Larryvg

ADDITION DATE	PART NUMBER	BORE TOLERANCES		TORQUES (lbin)			TORSIONAL FLEXIBILITY	MASS MOMENT OF INERTIA	COMMENTS	A1	A2
		+0.002in -0.00in	or +0.05mm -0.00mm	Non-reversing	Shock or Reversing	Momentary					
04 Dec 90	MCACM150-19mm-14mm	*19.00mm	*14.00mm	44	22	88					
	MCACM150-19mmQ6-15mmQ5	*19.00mm	*15.00mm	44	22	88		Keyway Width:	6.00/6.05mm	5.00/5.05mm	
	MCACM150-19mmQ5-15mmQ5	*19.00mm	*15.00mm	44	22	88		Keyway Width:	5.00/5.05mm	5.00/5.05mm	
	MCACM150-19mm-16mm	*19.00mm	*16.00mm	44	22	88					
	MCACM150-19mm-18mm	*19.00mm	*18.00mm	44	22	88					
30 Sep 10	MCACM150-19mm-18.5mm	*19.00mm	*18.50mm	44	22	88					
04 Dec 90	MCACM150-19mm-19mm	*19.00mm	*19.00mm	44	22	88					
30 Nov 11	MCACM150-24-12	*.750in	.375in	44	22	88					
26 Jul 88	MCACM150-24-20	*.750in	*.625in	44	22	88					
12 Oct 00	MCACM150-20mm-6mm	*20.00mm	6.00mm	44	22	88					
	MCACM150-20mm-7mm	*20.00mm	7.00mm	44	22	88					
09 Mar 88	MCACM150-20mm-12	*20.00mm	.375in	44	22	88					
	MCACM150-20mm-10mm	*20.00mm	10.00mm	44	22	88					
03 Apr 12	MCACM150-20mm-11mm	*20.00mm	11.00mm	44	22	88					
	MCACM150-20mm-12mm	*20.00mm	12.00mm	44	22	88					
01 Apr 05	MCACM150-20mm-16	*20.00mm	.500in	44	22	88					
09 Mar 88	MCACM150-20mm-14mm	*20.00mm	*14.00mm	44	22	88					
17 Nov 06	MCACM150-20mm-20	*20.00mm	*.625in	44	22	88					
26 Jul 88	MCACM150-20mm-16mm	*20.00mm	*16.00mm	44	22	88					
	MCACM150-20mm-20mm	*20.00mm	*20.00mm	44	22	88					
	MCACM150-27-8	*.844in	.250in	44	22	88		Clearance Diam.:	1.681in		
31 May 01	MCACM150-22mmQ6-10mmQ3	*22.00mm	10.00mm	44	22	88		Clearance Diam.:	1.681in		
	MCACM150-28-8	*.875in	.250in	44	22	88		Keyway Width:	6.00/6.05mm	3.00/3.05mm	
09 Nov 10	MCACM150-25mm-12mm	*25.00mm	12.00mm	44	22	88		Clearance Diam.:	1.681in		
30 Sep 10	MCACM150-25mm-16	*25.00mm	.500in	44	22	88		Clearance Diam.:	1.681in		

* NOTE: Bores greater than .512in Dia: bore depth is .655in

NOTICE: THE INFORMATION AND DATA CONTAINED HEREIN IS CONSIDERED PROPRIETARY TO HELICAL PRODUCTS COMPANY, INC., AND SHALL REMAIN THE EXCLUSIVE PROPERTY OF HELICAL. THE HOLDER WILL ASSUME CUSTODY AND CONTROL THAT THIS DOCUMENT WILL NOT BE COPIED, REPRODUCED OR DISCLOSED WITHOUT THE EXPRESS WRITTEN CONSENT OF HELICAL. POSSESSION OF THIS DOCUMENT DOES NOT CONSTITUTE A GRANT TO MANUFACTURE ANY ITEMS.

ADDITIONAL BORE SIZES AVAILABLE UPON REQUEST

APPROVALS	DATE
DRAWN	
CHECKED	
PRODN	
ISSUED	4/4/2012 10:14:40 AM

HELICAL PRODUCTS CO. INC
P.O. BOX 1069 SANTA MARIA, CA. 93456 U.S.A
PHONE (805) 928-3851 FSCI3201

TITLE **HELICAL FLEXIBLE SHAFT COUPLING**

TABULATED BORE SIZES

DWG NO **MCACM150**

Printed 4/4/2012 10:16:47 AM by Larryvg