



## Operating Instructions

### Transducers UFA / UVA / UTA integrated in vane wheel sensors, vortex sensors, or thermal sensors with Ex-d housing

#### Contents

<b>A1</b>	<b>Scope of Delivery</b>
A1.1	Description, Type Plates
<b>A2</b>	<b>Technical Specifications</b>
A2.1	Operating Conditions
A2.2	Housing and Connections
A2.3	Electrical Data
A2.4	Measurement Uncertainty
<b>A3</b>	<b>Installation</b>
A3.1	Terminal Connections
A3.2	Wiring Diagrams
A3.2.1	Power supply
A3.2.2	Analog output v
A3.2.3	Digital output (relay contact)
A3.2.4	HART® interface
A3.2.5	optional LCD display
<b>A4</b>	<b>Functional Description</b>
<b>A5</b>	<b>Settings</b>
<b>A6</b>	<b>Initial Operation</b>
<b>A7</b>	<b>Operation</b>
<b>A8</b>	<b>Shut-down, Dismantling</b>
<b>A9</b>	<b>Inspection</b>
<b>A10</b>	<b>Troubleshooting</b>
<b>A11</b>	<b>Replacement Parts</b>



## A1 Scope of Delivery

- Transducer UFA, UVA or UTA integrated in the connection housing of flow sensor FA, VA or TA
- Operating Instructions Flow Sensor FA, VA or TA
- Data Sheet flow sensor FA, VA or TA with integrated transducer UFA, UVA or UTA
- CD-ROM with PC configuration software UCOM (optional)
- HART® modem for PC connection to USB port (optional)

Please check that everything listed in the Delivery Note / Technical Data Sheet is included in the delivery.

### A1.1 Description, Type Plates

One of the following type plates (or similar) can be found on the connection housing:



FA, FAR	: vane wheel flow sensor
VA	: vortex flow sensor VA40
TA	: thermal flow sensor
UFA	: transducer for vane wheel sensors FA
UVA	: transducer for vortex sensors VA
UTA	: transducer for thermal sensors TA
PS	: max. permissible pressure (absolute)
S.No.	: serial number
Di	: inside diameter Di of the measuring tube
T <sub>ambient</sub>	: ambient air temperature range connection housing -20 ... +50 °C
T <sub>medium</sub>	: temperature range of medium

Pin assignment of connecting terminals:

KL1	DC Power	L+	: +24 VDC	= supply voltage +24 VDC
		L-	: 0 VDC	= supply voltage 0 VDC
KL2	Output 4 ... 20mA+		: +4 ... 20mA	= Output Flow
		-	: - 4 ... 20mA	= Output Flow
KL3	Output relay (2 terminals)		: = normally-open potential-free	



## A2 Technical Specifications



### A2.1 Operating Conditions

Ambient temperature  
of connection housing  
when in use : -20 ... +50 °C

Type of protection : IP68

### A2.2 Housing and Connections

Type of protection : housing IP68  
Setup : dual chamber system Ex-d = electronics, Ex-e = terminal compartment  
Material : aluminium  
External dimensions : D/L/H = 110/205/182 mm  
Connections : 2 cable bushings in Ex-e protection in the terminal compartment, in  
which 6 terminals in Ex-e protection for wires with cross-section  
0.14 ... 1.5 mm<sup>2</sup> can be found

### A2.3 Electrical Data

**Supply voltage,  
mains supply  
supply current** : 24 V DC (20 ... 27 V DC), power < 5 W  
<150 mA

The mains supply is electrically isolated from the outputs.  
The "-" connection of the analog output can be found on the housing and therefore on the equipotential  
bonding, i.e. for EMC reasons, signal evaluation should have potential-free inputs.  
The relay output is potential-free.

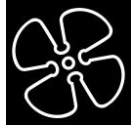
**Analog output** : 4 ... 20 mA = 0 ... x m/s (or m<sup>3</sup>/h)  
4 ... 20 mA = -x ... 0 ... +x m/s (or m<sup>3</sup>/h) with FAR  
function configurable;  
terminal value x configurable / resistance max. 500 Ohm,  
with HART<sup>®</sup> interface 250 ... 500 Ohm

**Digital output** : (relay contact, normally-open contact), max. 200 mA / 30 V DC,  
configurable as limit value v, quantity pulse or  
±direction of flow (see A4 Functional Description)

**HART<sup>®</sup> interface** : for communication with PC programme UCOM  
(see A4 Functional Description)

Accessible by unscrewing the glass housing (optional):

**Connection  
for optional LCD display** : flat ribbon cable with 10-pin cable socket  
**DO NOT PLUG IN OR OUT WHEN LIVE!**



## A2.4 Measurement Uncertainty

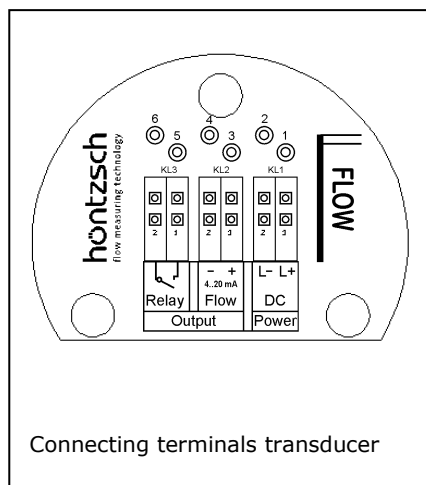
Acquisition of measurement frequency (at 1000 Hz)	: <0.1%
Analog output (terminal value)	: <0.15%
Linearity error	: <0.1%
Temperature coefficient	: <20 ppm/K (at 25 °K temperature difference equivalent to <0.05%)



## A3 Installation

The relevant national regulations for installing electrical equipment, the General Engineering Regulations and these Operating Instructions apply.

### A3.1 Terminal Connections



Connecting terminals are accessible after removing the housing cover of the terminal compartment (housing cover on the cable gland side).



### A3.2 Wiring Diagrams

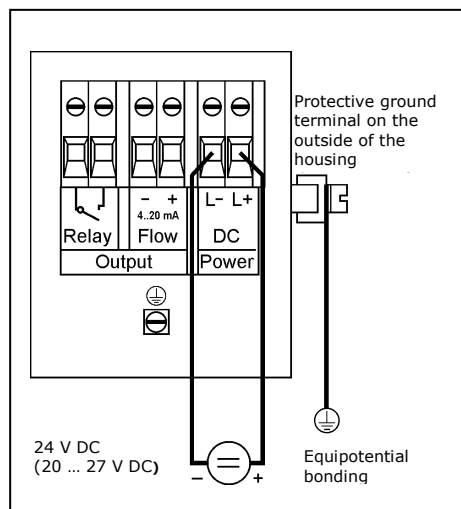
Electrical connection must be carried out according to the appropriate wiring diagram. **Faulty connection can cause damage to the electronics.**

Do not install or wire up the transducer under mains voltage. **Non-compliance can cause damage to the electronics.**

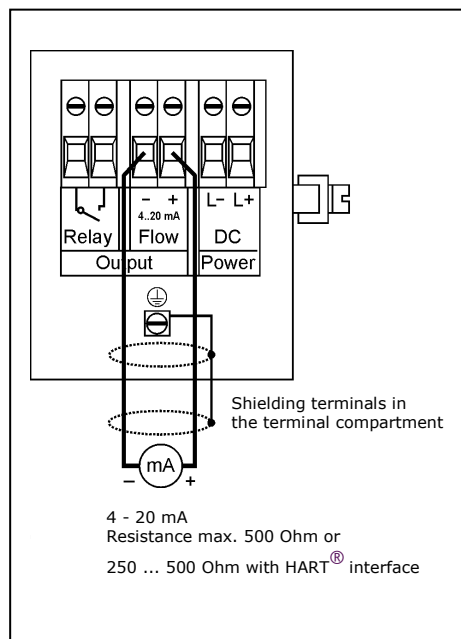


### A3.2.1 Power supply

Before connecting please check that the power supply is within the specification. All relevant information can be found on the type plate.



### A3.2.2 Analog output v



The analog output is configurable with the UCOM software via the HART<sup>®</sup> interface. The factory-set values can be found in the accompanying documents.



### A3.2.3 Digital output (relay contact)

The digital output is a potential-free relay contact (normally-open).

The function of the digital output and the corresponding setting parameter are configurable using the UCOM software via the HART® interface. The factory-programmed settings can be found in the parameter printout included with delivery.

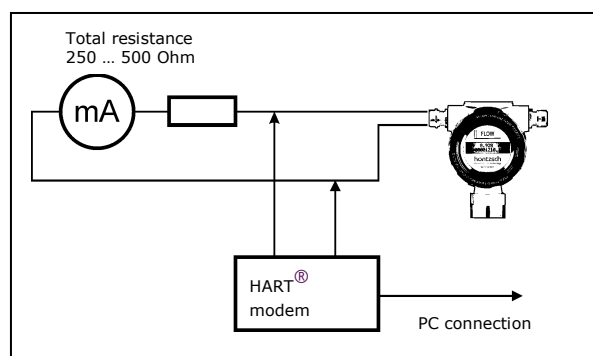
The **digital output** (relay contact) can be configured for **1 of 3 functions**:

1. as **limit value** for the flow velocity or flow rate:  
 flow velocity < or = limit value: relay contact open  
 flow velocity > limit value: relay contact closed
2. as **quantity pulse** for quantity measurement:  
 max. pulse repetition frequency 1 Hz per unit of volume,  
 configurable, e.g. 1 pulse per 1, 10 or 100 (norm)-m<sup>3</sup> or (norm)-litre  
 pulse duration 0.5 s (with FAR sensors: configurable for '+' or '-' amounts)
3. as **±direction of flow** \*\* (FAR sensors only):  
 +direction: relay contact open  
 - direction: relay contact closed  
 \*\* analog output is then absolute value of flow only, without direction

### A3.2.4 HART® interface

To connect the HART® interface an optional HART® modem is connected to the closed circuit of the analog output 4 ... 20 mA (connect to +4 ... 20mA terminal and -4 ... 20mA terminal). The polarity of the HART® modem connection is irrelevant. The resistance of the 4 ... 20 mA circuit must be between 250 Ohm and 500 Ohm.

Connection to PC is via a USB connection.





### A3.2.5 LCD display (optional)



Fig. 1: optional LCD display behind glass

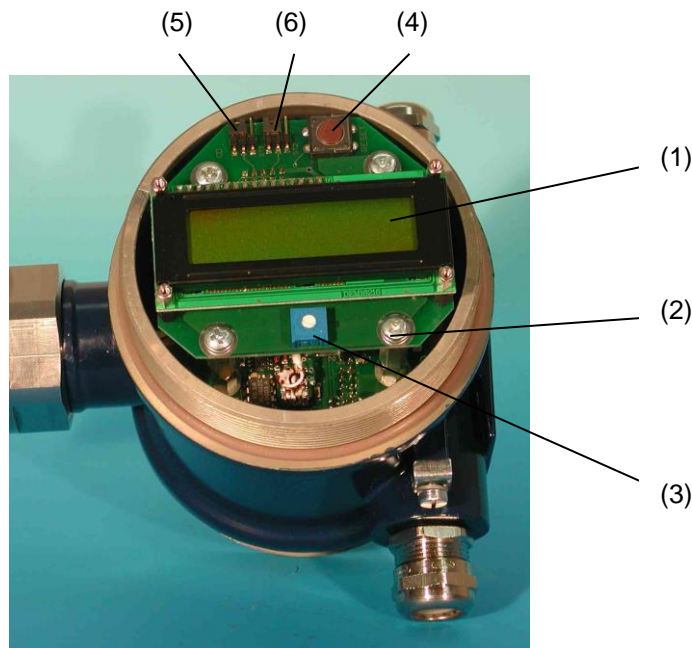


Fig. 2: LCD display with cover open

After unscrewing the housing cover with inspection glass and the display cover plate, the complete display module (1) can be rotated in steps of 90° after loosening the 4 retaining screws (2).

**The flat ribbon cable with 10-pin connector should not be plugged in or unplugged when live!  
Risk of damage to equipment!**

Visible are the readout potentiometer (3) for the display contrast, the reset button (4) for the counter, the jumpers St1 m/s-m<sup>3</sup>/h (5) and St2 A-B (6) (see A4 Functional Description).



## A4 Functional Description

**UFA transducers** for vane wheel probes FA and FAR (directional sensing) and vane wheel measuring tubes FA Di and FAR Di (directional sensing) for measuring flow velocity or flow rate of air/gases and water/liquids.

**UVA transducers** for vortex sensors VA for measuring flow velocity or flow rate of air/gases.

**UTA transducers** for thermal sensors TA for measuring standard flow velocity or standard flow rate of air/gases.

The signal frequency or voltage generated from the flow sensor is converted to a linear **analog output signal 4-20 mA**. The analog terminal value is configurable.

When logging directional sensing data, the zero point can be selected in the middle of the analog range, or display of flow direction takes place with the aid of the digital output:

for FA and FAR*:	<b>4 ... 20 mA</b>	=	0 ... x m/s (or m <sup>3</sup> /h)
for FAR:	<b>4 ... 12 ... 20 mA</b>	=	-x ... 0 ... +x m/s (or m <sup>3</sup> /h)
for VA:	<b>4 ... 20 mA</b>	=	0 ... x m/s (or m <sup>3</sup> /h)

\* for FAR sensors configuration of the digital output (see below):  $\pm$ direction of flow

With transducers UFA and UVA the actual velocity/actual flow rate can be converted to standard velocity/standard flow rate by entering the parameters 'temperature' and 'pressure'. Working temperature and pressure should be constant.

A **digital output** (relay contact) can be configured for **1 of 3 functions**:

1. as **limit value** for the flow velocity or flow rate:  
flow velocity < or = limit value: relay contact open  
flow velocity > limit value: relay contact closed
2. as **quantity pulse** for quantity measurement:  
max. pulse repetition frequency 1 Hz per unit of volume,  
configurable, e.g. 1 pulse per 1, 10 or 100 (norm)-m<sup>3</sup> or (norm)-litre  
pulse duration 0.5 s (with FAR sensors: configurable for '+' or '-' amounts)
3. as  **$\pm$ direction of flow** \*\* (FAR sensors only):  
+direction: relay contact open  
- direction: relay contact closed  
\*\* analog output is then absolute value of flow only, without direction

### Self-diagnosis according to NAMUR NE43:

**No error** : analog output = 4 mA (flow velocity = 0)  
or analog output > 4 mA (flow velocity > 0)

**Error** : analog output < 3.6 mA

For monitoring of power supply, data logging, sensor interface, parameter settings (see under A10: Troubleshooting)

### HART® interface

for changing calibration data and setting parameters.

Connect HART® modem (optional) to transducer UFA/UVA/UTA on the closed circuit of the analog output (connect to both terminals of the analog output 4 ... 20 mA). Polarity of the connecting terminals of the HART® modem is irrelevant, resistance between 250 Ohm and 500 Ohm to be strictly observed). Connect USB plug to the USB PC connection.

Changes to the settings can now take place after starting the PC programme UCOM (optional) (see under A5: Settings).





### Optional LCD display:

2 x 16 digit, character height 5.5 mm

Display row 1 : instantaneous value - velocity or flow rate  
Display row 2 : 'counter' or 'error code'

Configuration (see Fig. 2, under A3.2.5) via 2 jumper wrap connections St1 m/s-m<sup>3</sup>/h and St2 A-B

### Display row 1:

m/s-m <sup>3</sup> /h = m/s	and A-B = any:	velocity in (N)m/s *
m/s-m <sup>3</sup> /h = m <sup>3</sup> /h	and A-B = A:	flow rate in (N)m <sup>3</sup> /h
m/s-m <sup>3</sup> /h = m <sup>3</sup> /h	and A-B = B:	flow rate in (N)l/h **

\* standard values (N) UFA and UVA only, when parameter 'switching v/NV' =1 (see under A5)

\*\* only when Di < 75.0 mm, otherwise display in (N)m<sup>3</sup>/h

### Display row 2:

Quantity counter in m<sup>3</sup> with 0 ... 3 decimal places  
(see under A5: parameter 'switching pulse m<sup>3</sup>(cbm) / l (litre)' and  
parameter 'm<sup>3</sup> (cbm) / l (litre) per pulse' and  
parameter 'decimal places quantity display')  
with error : error 01 = parameter error  
error 02 = sensor error

(see A10: Troubleshooting)

Reset button on the LCD display module behind the glass of the housing cover: see Fig. 2,  
A3.2.5:

Reset the counter by pressing the reset button for more than 3 seconds. This can also be carried out via  
the HART® interface.

## A5 Settings

The following setting parameters can be read using the PC software UCOM and are also alterable.  
The customer-specific settings are shown on the parameter print-out, which is included in the  
documents.

**Operating Instructions Software UCOM see document U385.**



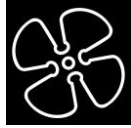
## A6 Initial Operation

(Pay attention to A3.2.1 Power supply and A3.2.2 Analog output)

On connecting the supply voltage:

no flow at sensor: the analog output sends a value of 4 mA (or 12 mA depending on configuration with  
FAR sensors, see under A4 Functional Description)

flow at sensor: the analog output sends an analog value deviating from the zero flow conditions (see  
above).



## **A7 Operation**

(Pay attention to A2.1 Operating Conditions)  
(Pay attention to A2.3 Electrical Data)



## **A8 Shut-down, Dismantling**

Please ensure that the supply voltage is switched off before disconnecting.

## **A9 Inspection**

see under A4 Functional Description, self-diagnosis.

The screw threads of the housing cover have been treated with graphite to protect against corrosion.



## A10 Troubleshooting

Fault	Cause	Troubleshooting
<b>Analog output = 0 mA</b>	No power supply	Check connecting cable; measure voltage at connecting terminals
	Transducer electronics faulty	Return to factory
<b>Analog output = error (&lt;3.6 mA)</b>	Parameter error	Check parameter with UCOM software; save new checksum (or return to factory)
	Transducer electronics faulty	Return to factory
<b>Analog output = 4 mA, no measured value</b>	Sensor contaminated	Clean sensor according to instructions
	Profile factor set at 0.000	Set profile factor to relevant nominal diameter and sensor type
<b>Measured value too low</b>	Sensor contaminated	Clean sensor according to instructions
	Profile factor setting too low	Set profile factor to relevant nominal diameter and sensor type
	Input/output section too short	Change sensor position; improve flow conditions with a flow rectifier
	Rotational flow	Reposition sensor in flow direction; install flow rectifier
	VA sensors: Reduced acoustic coupling in the sensor elements as a result of intense vibration or a powerful impact	Return sensor to factory for performance check
	Resistance at current output is greater than specified in the Technical Data Sheet. This results in correct output values in the lower range and no longer increasing output values at the top end of the measuring range	Reduce resistance value
	Incorrect scaling of analog output	Check setting and amend if necessary
<b>Measured value too high</b>	Profile factor set too high	Set profile factor to relevant nominal diameter and sensor type
	EMC problem	See reference to electromagnetic compatibility (EMC)

## A11 Replacement Parts

- Cable bush in Ex-e protection
- Inspection glass housing cover
- Housing cover (without inspection glass)
- Seals for housing cover
- The fuse is self-restoring

® Registered trademark HART Communication Foundation